

"Teak" GLAZED FIBERGLASS DOOR

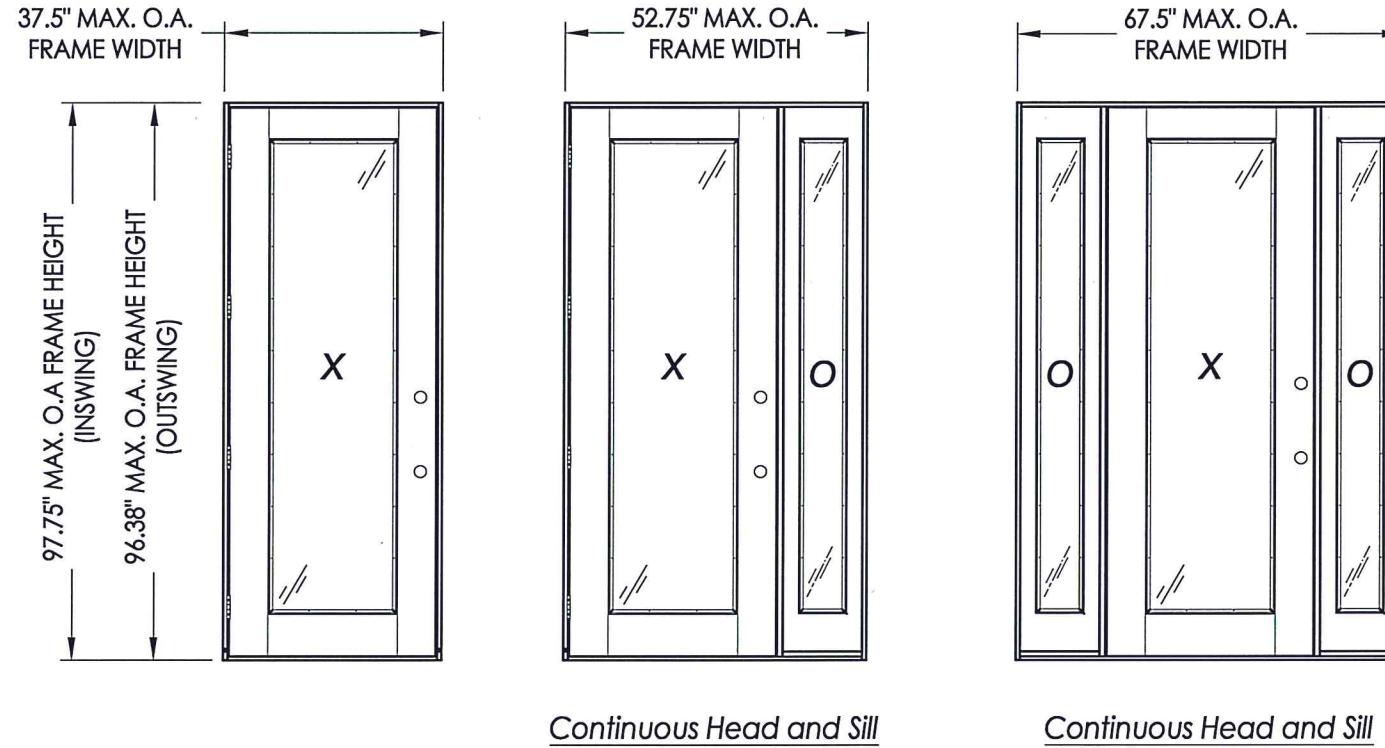
w/ or w/out SIDELITE(S)
"NON-IMPACT"
INSWING / OUTSWING

GENERAL NOTES

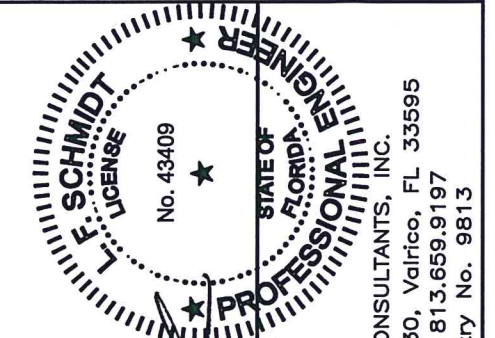
1. This product has been evaluated and is in compliance with the 7th Edition (2020) Florida Building Code (FBC) structural requirements excluding the "High Velocity Hurricane Zone" (HVHZ).
2. Product anchors shall be as listed and spaced as shown on details. Anchor embedment to base material shall be beyond wall dressing or stucco.
3. When used in areas requiring wind borne debris protection, this product is required to be protected with an impact resistant covering that complies with FBC Sections 1609.1.2 & R301.2.1.2.
4. For 2x stud framing construction, anchoring of these units shall be the same as that shown for 2x buck masonry construction.
5. Site conditions that deviate from the details of this drawing require further engineering analysis by a licensed engineer or registered architect.

TABLE OF CONTENTS

SHEET#	DESCRIPTION
1	Typical elevations, design pressures & general notes
2	Door panel details
3	Sidelite panel details
4	Elevations
5	Horizontal & vertical cross sections (2X buck)
6	Horizontal & vertical cross sections (1X buck)
7	Horizontal & vertical cross sections (Direct to Masonry)
8	Horizontal cross sections
9	Vertical cross sections
10	Buck anchoring
11	Frame anchoring
12	Components
13	Bill of materials



CONFIGURATION	FRAME MATERIAL	DESIGN PRESSURE (PSF) INSWING		DESIGN PRESSURE (PSF) OUTSWING	
		POSITIVE	NEGATIVE	POSITIVE	NEGATIVE
X, OX, XO, OXO	FJ PINE	+45.0	-55.0	+50.0	-50.0
X, OX, XO, OXO	COMPOSITE	+45.0	-55.0	+50.0	-50.0

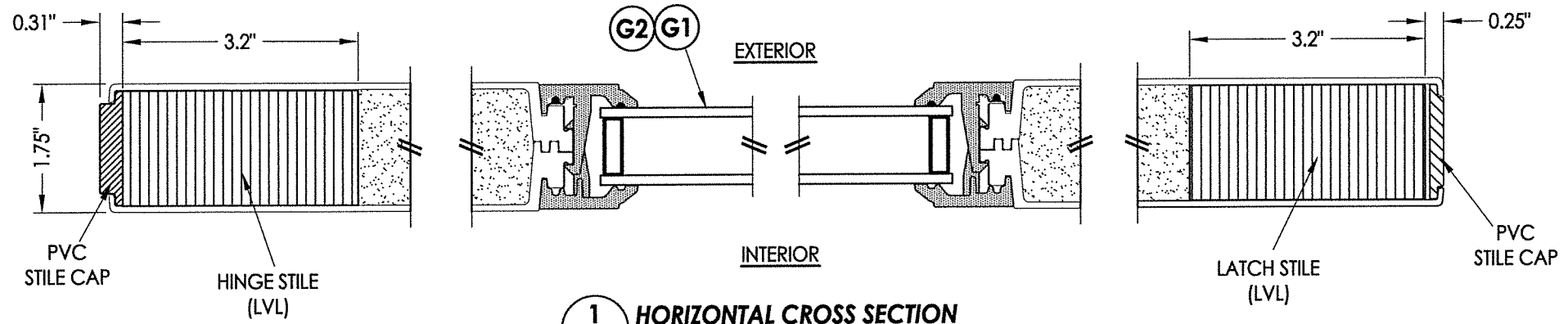


August 11, 2020
 Documents Prepared By:
 Lyndon F. Schmidt
 P.E. No. 43409
 RW BUILDING CONSULTANTS, INC.
 P.O. Box 230, Valrico, FL 33595
 Phone No.: 813.659.9197
 FBPE Registry No. 9813

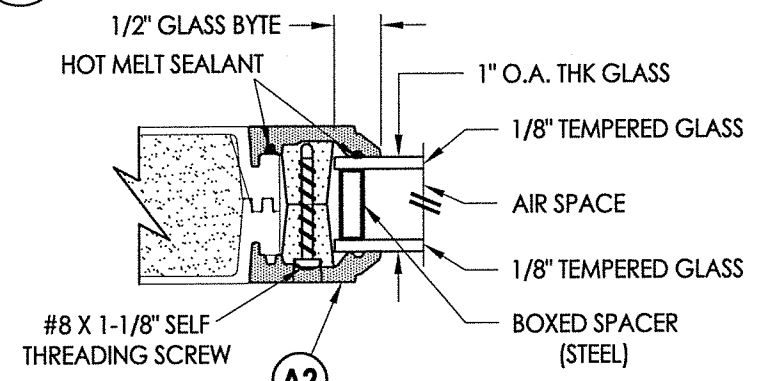
PRODUCT:	TRINITY GLASS INT'L
PART OR ASSEMBLY:	TYPICAL ELEVATION, DESIGN PRESSURES & GENERAL NOTES
DATE:	2/05/20
SCALE:	N.T.S.
DWG. BY:	TRJ
CHK. BY:	LFS
DRAWING NO.:	FL-25575.10
SHEET	1 OF 13

\\dc01\rwbc\Clients\Trinity Glass PERMANENT\A - Florida Product Approvals\FL - 25575\C. Drawings\FL 25575 (2020)\FL-25575.10.dwg

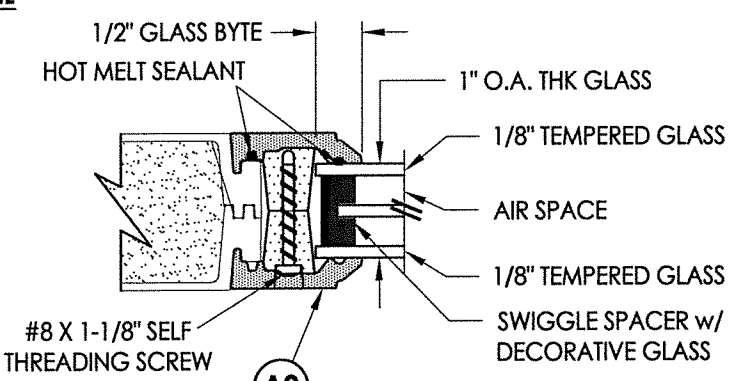
\\dc01\wbc\Clients\Trinity Glass PERMANENT\A - Florida Product Approvals\FL - 25575\C. Drawings\FL 25575 (2020)\FL-25575.10.dwg



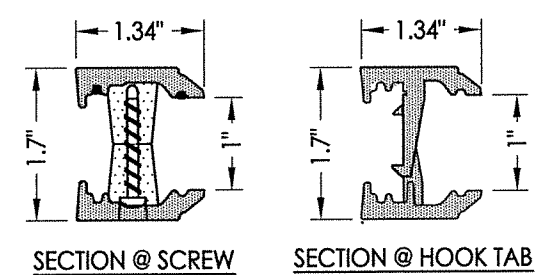
1
2 **HORIZONTAL CROSS SECTION**



G1 **GLAZING DETAIL**

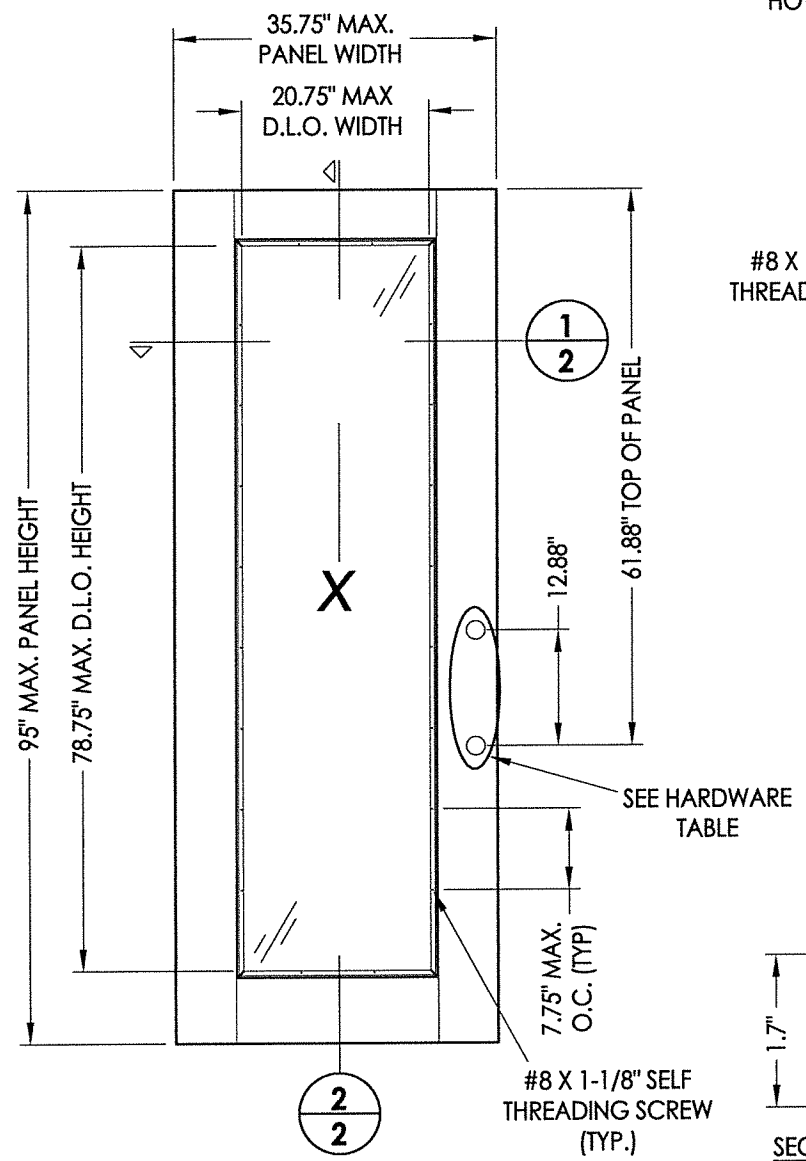


G2 **GLAZING DETAIL**
DECORATIVE GLASS



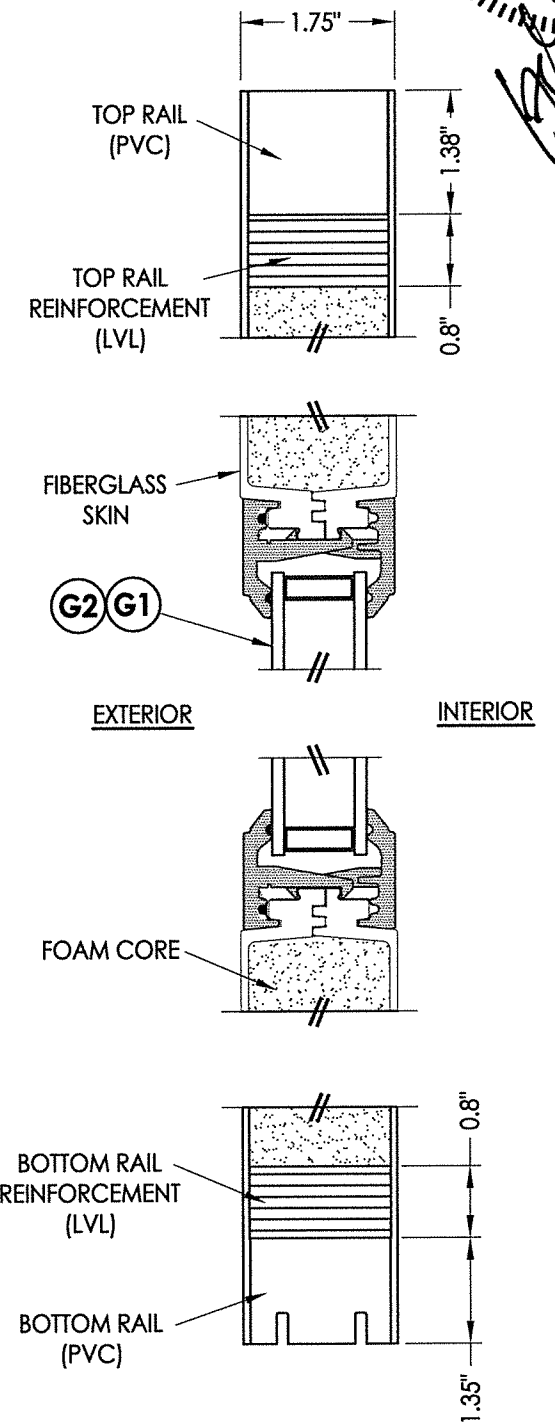
A2 **FLUSH GLAZING FRAME**
FIBERGLASS

HARDWARE CHART	
MANUFACTURER	MODEL
KWIKSET	KNOB: SIGNATURE SERIES DEADBOLT: SIGNATURE SERIES (980)
SCHLAGE	KNOB: F SERIES DEADBOLT: B60 SERIES

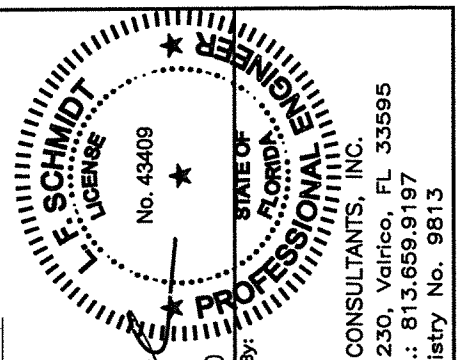


40 **GLAZED DOOR PANEL**
TEAK

DOOR SKIN: 0.079" MIN. THK. FIBERGLASS
CORE MATERIAL: POLYURETHANE FOAM



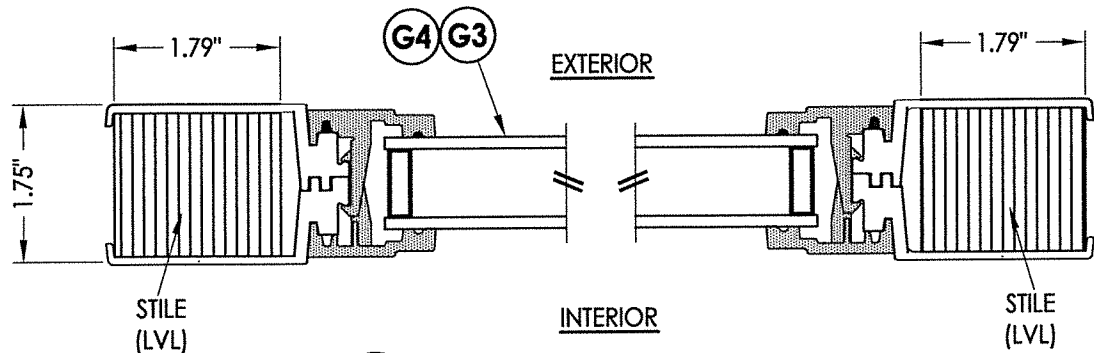
2
2 **VERTICAL CROSS SECTION**



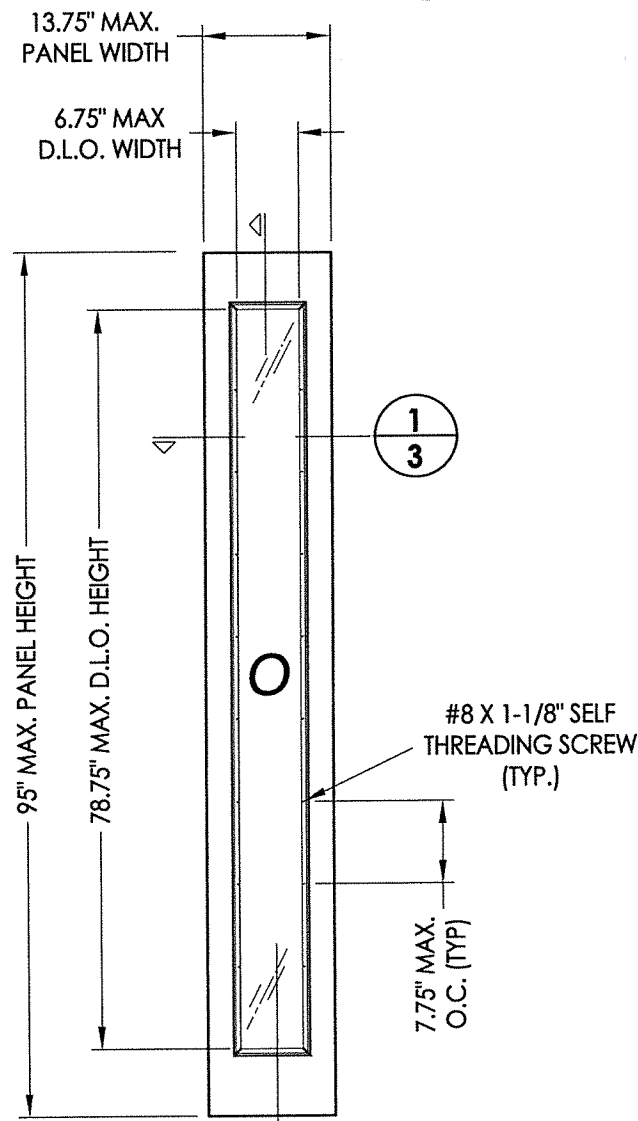
August 11, 2020
Documents Prepared By:
Lyndon F. Schmidt
P.E. No. 43409
RW BUILDING CONSULTANTS, INC.
P.O. Box 230, Valrico, FL 33595
Phone No.: 813.659.9197
FBPE Registry No. 9813

PRODUCT:	TRINITY GLASS INT'L
PART OR ASSEMBLY:	DOOR PANEL DETAILS
DATE	1/8/11/20
NO.	DATE
BY	DAC
REVISIONS	FBC
	UPDATE TO 7th ED. (2020)
DATE	2/05/20
SCALE	N.T.S.
DWG. BY:	TRJ
CHK. BY:	LFS
DRAWING NO.:	FL-25575.10
SHEET	2 OF 13

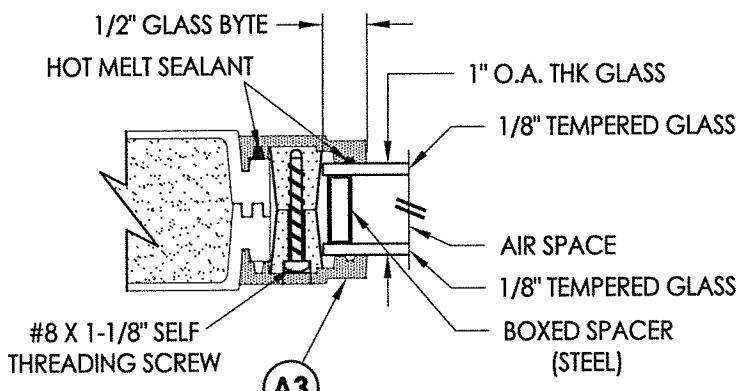
© 2020 R.W. BUILDING CONSULTANTS INC.



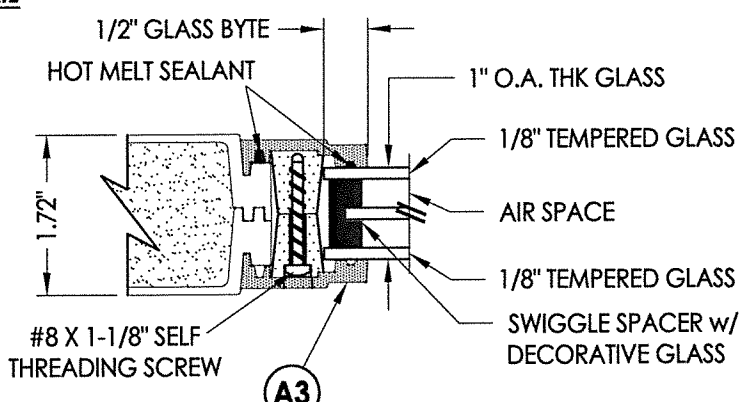
1
3 **HORIZONTAL CROSS SECTION**



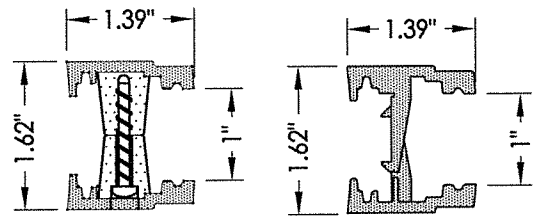
50 **SIDELITE PANEL**
TEAK



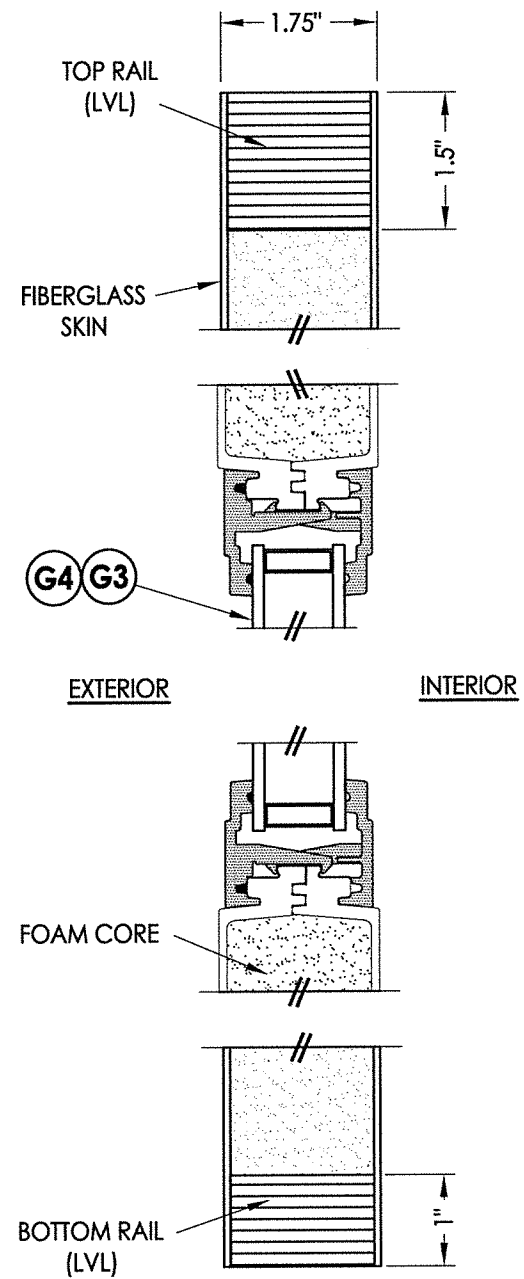
A3 **GLAZING DETAIL**



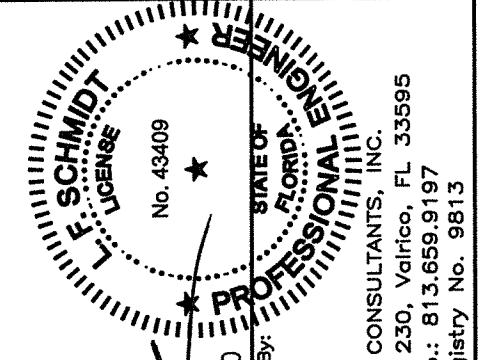
G4 **GLAZING DETAIL**
DECORATIVE GLASS



A3 **FLUSH GLAZING FRAME**
FIBERGLASS



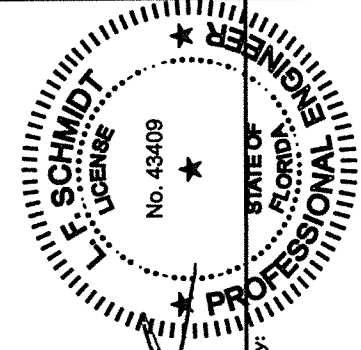
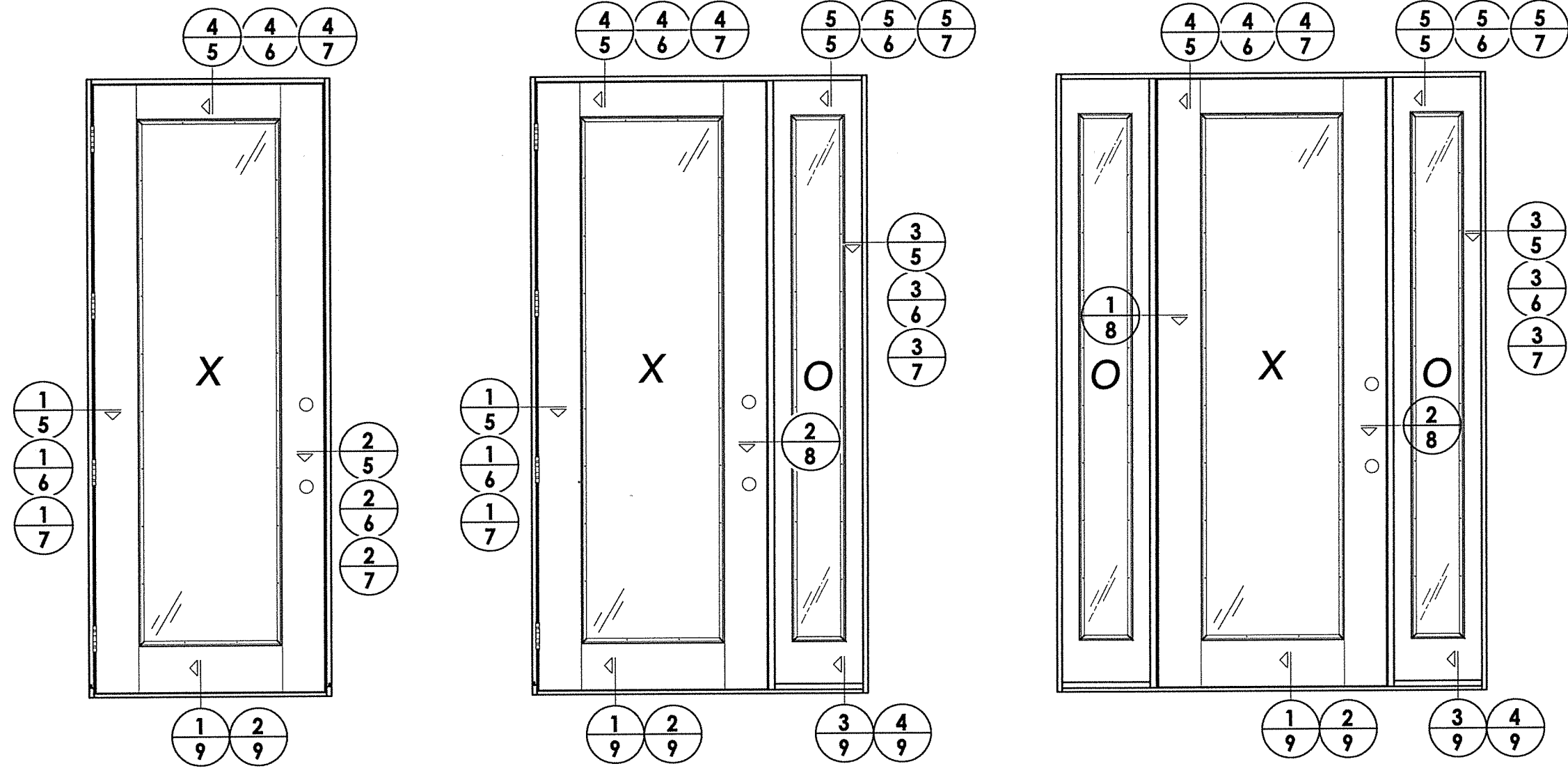
2
3 **VERTICAL CROSS SECTION**



August 11, 2020
 Documents Prepared By:
 Lyndon F. Schmidt
 P.E. No. 43409
 R.W. BUILDING CONSULTANTS, INC.
 P.O. Box 230, Vairico, FL 33595
 Phone No.: 813.659.9197
 FBPE Registry No. 9813

PRODUCT: TRINITY GLASS INT'L	
PART OR ASSEMBLY: SIDELITE PANEL DETAILS	
NO.	DATE
1	8/11/20
UPDATE TO 7th ED. (2020) FBC	
DAC	BY
REVISIONS	
DATE: 2/05/20	
SCALE: N.T.S.	
DWG. BY: TRJ	
CHK. BY: LFS	
DRAWING NO.: FL-25575.10	
SHEET 3 OF 13	

DOOR SKIN: 0.079" MIN. THK. FIBERGLASS
 CORE MATERIAL: POLYURETHANE FOAM



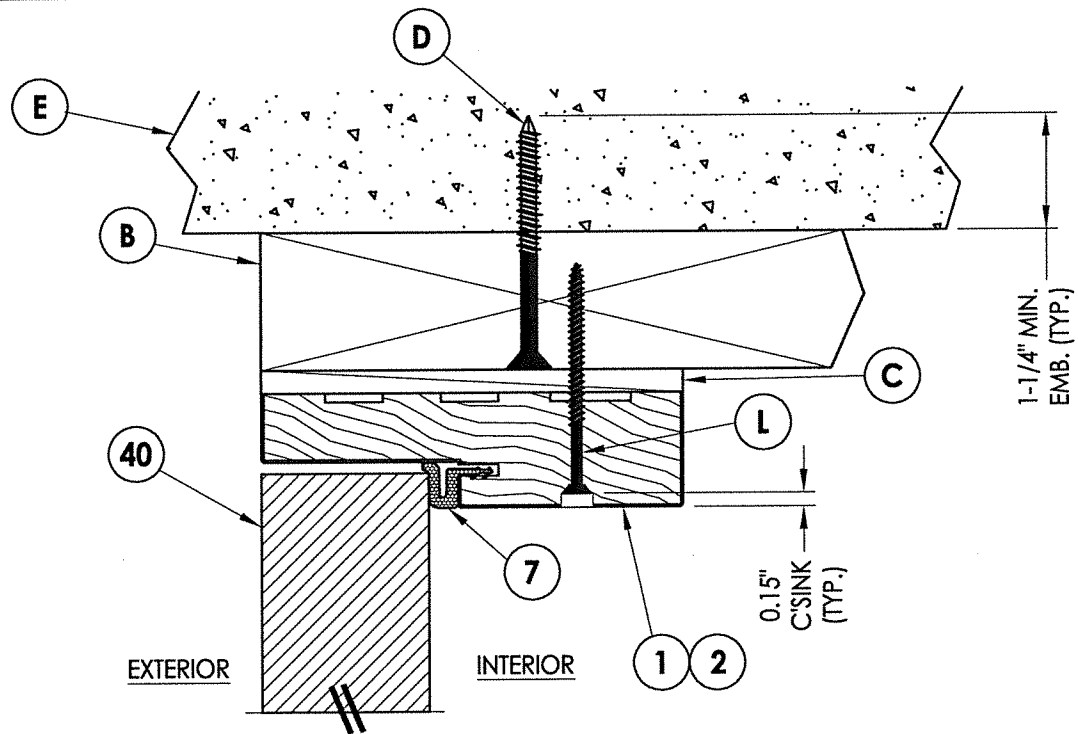
LFS

August 11, 2020
 Documents Prepared By:
 Lyndon F. Schmidt
 P.E. No. 43409

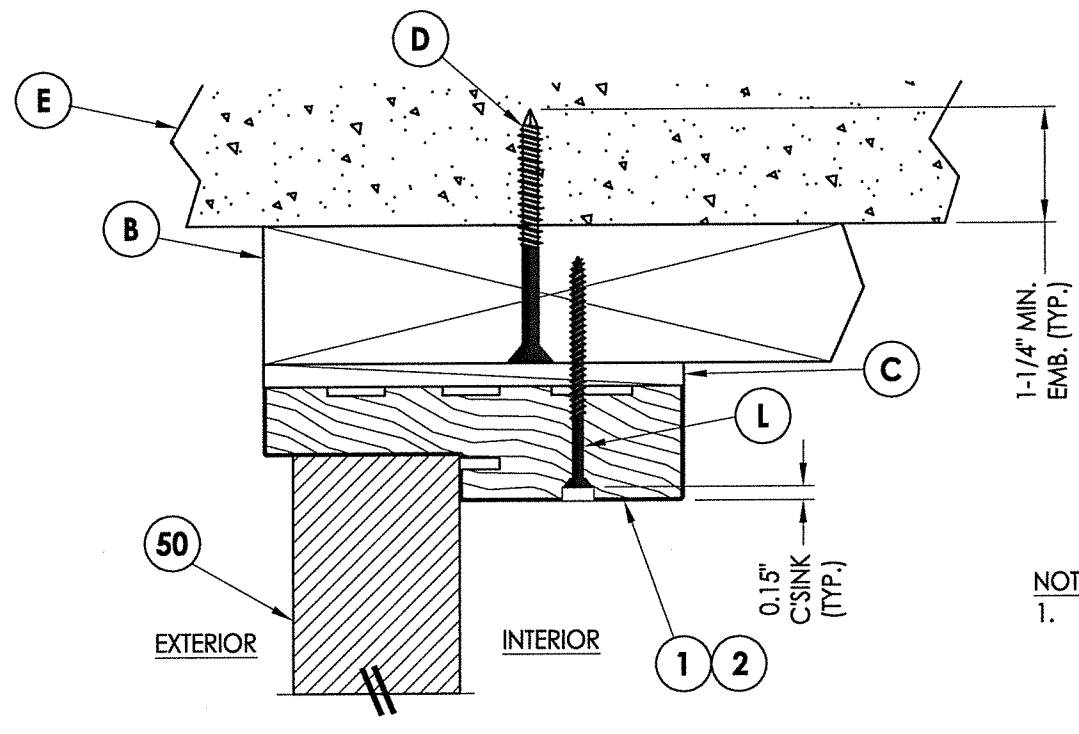
RW BUILDING CONSULTANTS, INC.
 P.O. Box 230, Valrico, FL 33595
 Phone No.: 813.659.9197
 FBPE Registry No. 9813

PRODUCT: TRINITY GLASS INT'L	
PART OR ASSEMBLY: ELEVATIONS	
NO.	DATE
1	8/11/20
UPDATE TO 7th ED. (2020) FBC	
DAC	BY
REVISIONS	
DATE: 2/05/20	
SCALE: N.T.S.	
DWG. BY: TRJ	
CHK. BY: LFS	
DRAWING NO.: FL-25575.10	
SHEET 4 OF 13	

\\dc01\wbc\Clients\Trinity Glass PERMANENT\A - Florida Product Approvals\FL - 25575\C. Drawings\FL 25575 (2020)\FL-25575.10.dwg

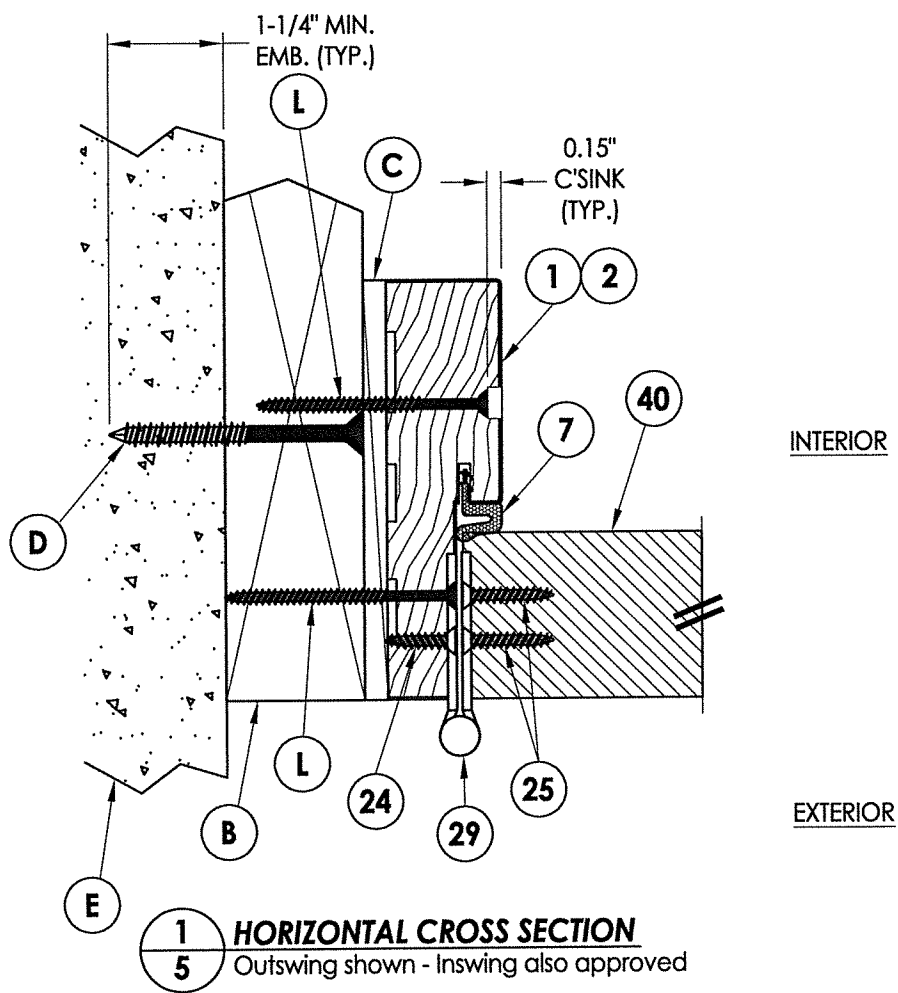


4 VERTICAL CROSS SECTION
5 Outswing shown - Inswing also approved

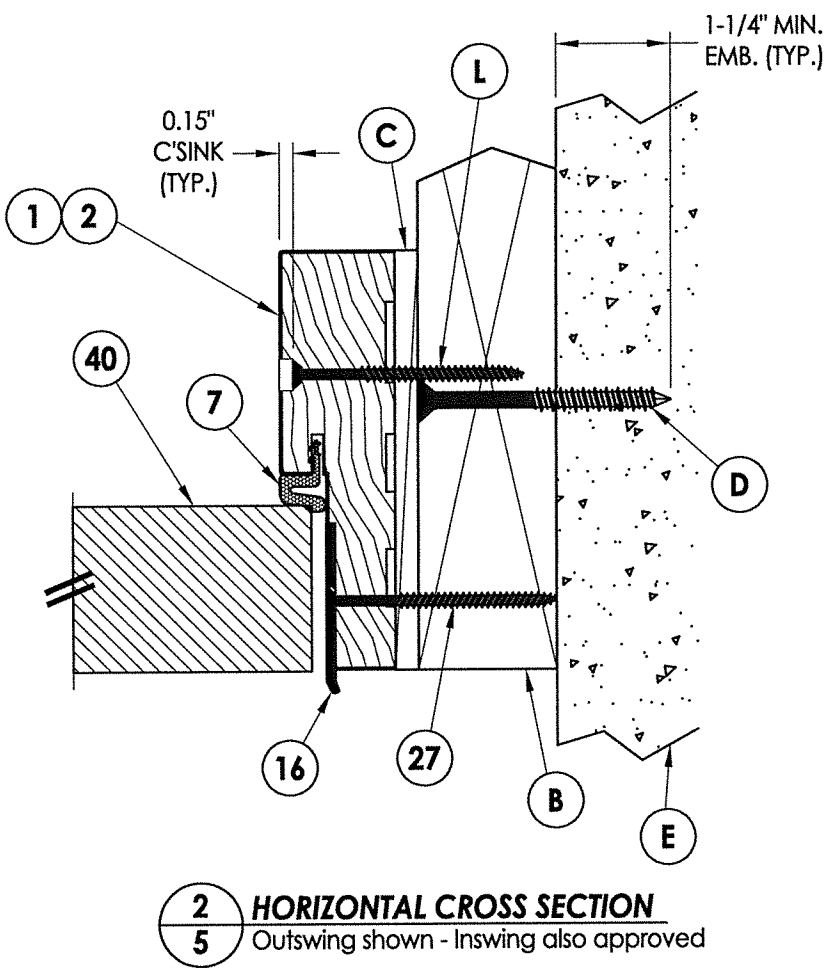


5 VERTICAL CROSS SECTION
5 Outswing shown - Inswing also approved

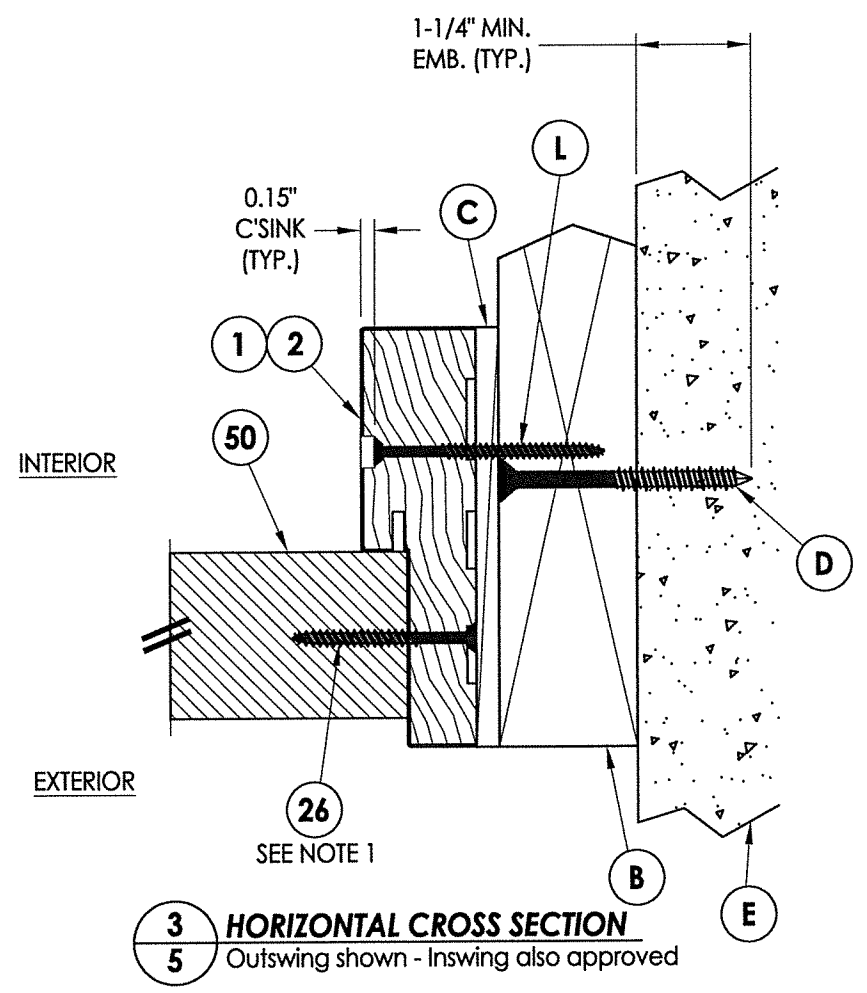
NOTE:
 1. Item #26 located 6" from each end plus 2 more equally spaced (4 total).



1 HORIZONTAL CROSS SECTION
5 Outswing shown - Inswing also approved



2 HORIZONTAL CROSS SECTION
5 Outswing shown - Inswing also approved



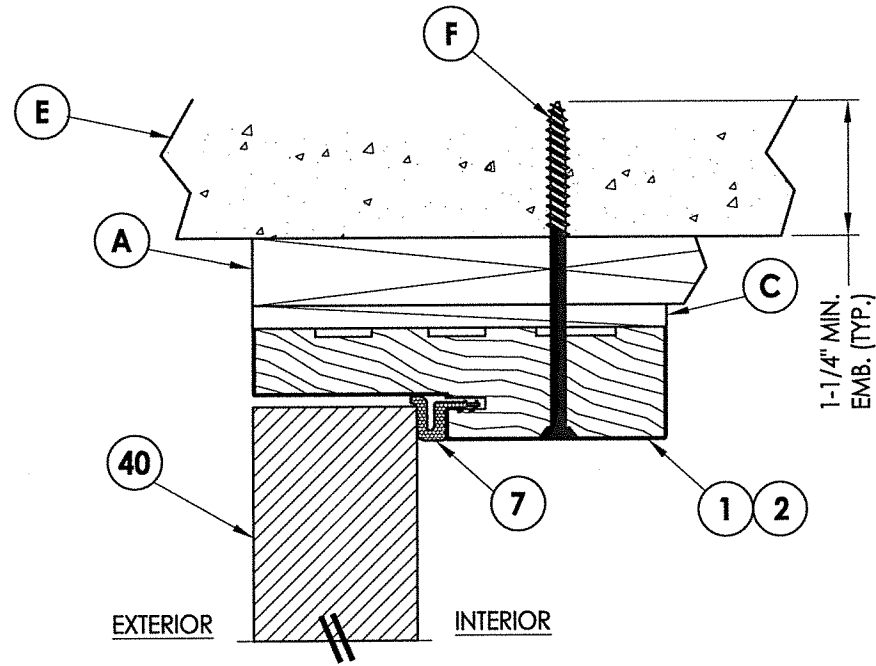
3 HORIZONTAL CROSS SECTION
5 Outswing shown - Inswing also approved

August 11, 2020
 Documents Prepared By:
 Lyndon F. Schmidt
 P.E. No. 43409

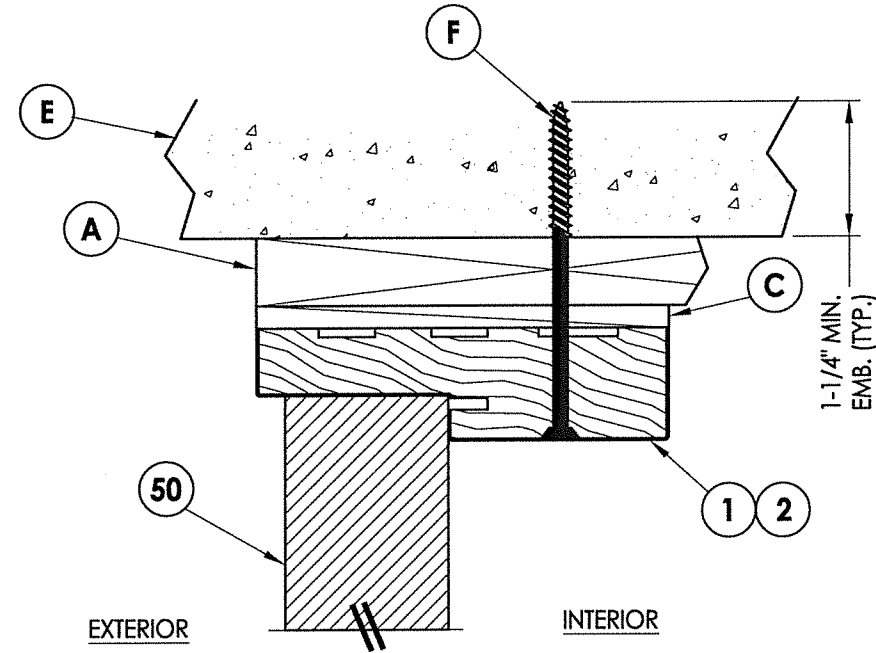
RW
 BUILDING CONSULTANTS, INC.
 P.O. Box 230, Valrico, FL 33595
 Phone No.: 813.659.9197
 FBPE Registry No. 9813

PRODUCT:	TRINITY GLASS INT'L	
PART OR ASSEMBLY:	HORIZONTAL & VERTICAL CROSS SECTIONS (2X BUCK)	
DATE:	2/05/20	
SCALE:	N.T.S.	
DWG. BY:	TRJ	
CHK. BY:	LFS	
DRAWING NO.:	FL-25575.10	
SHEET	5	OF 13
NO. DATE	1 B/11/20	UPDATE TO 7th ED. (2020)
	DAC	FBC
		BY
REVISIONS		

\\dc01\rbcb\Clients\Trinity Glass PERMANENT\A - Florida Product Approvals\FL - 25575\C. Drawings\FL 25575 (2020)\FL-25575.10.dwg

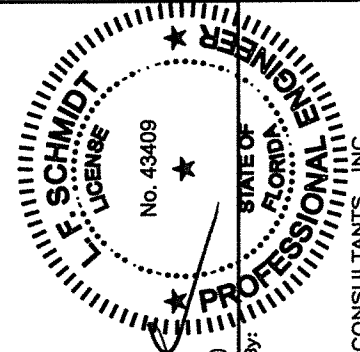


4 VERTICAL CROSS SECTION
6 Outswing shown - Inswing also approved



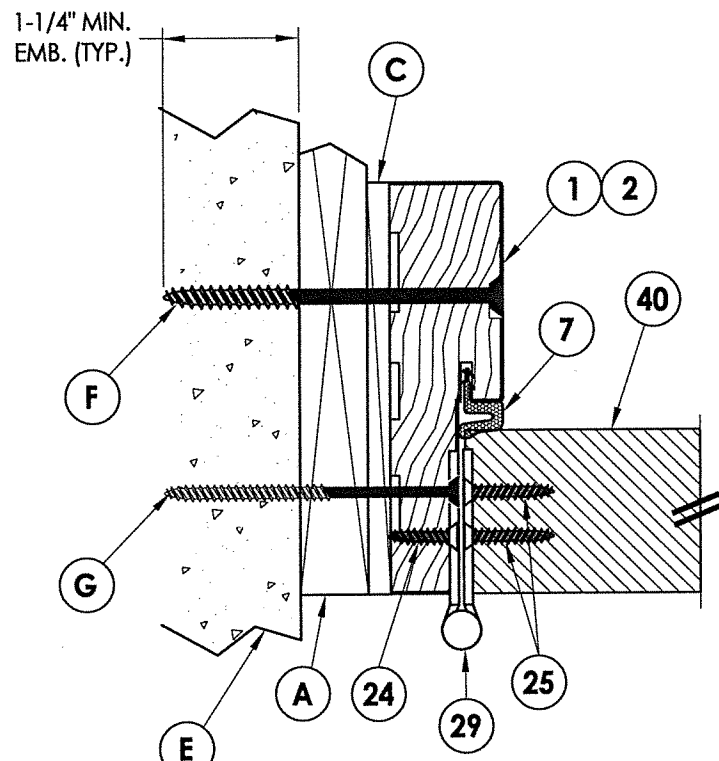
5 VERTICAL CROSS SECTION
6 Outswing shown - Inswing also approved

NOTE:
 1. Item #26 located 6" from each end plus 2 more equally spaced (4 total).

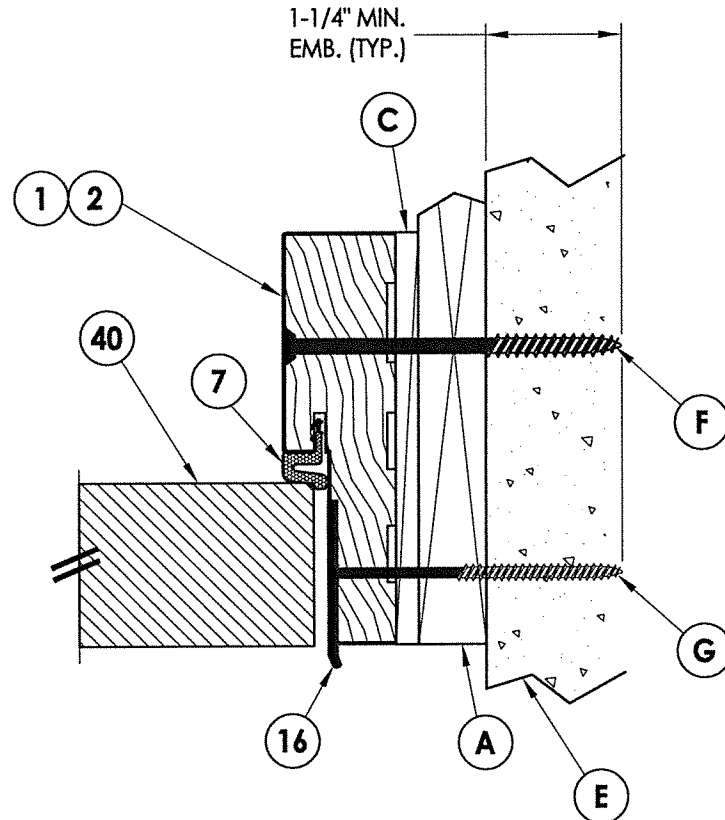


August 11, 2020
 Documents Prepared By:
 Lyndon F. Schmidt
 P.E. No. 43409

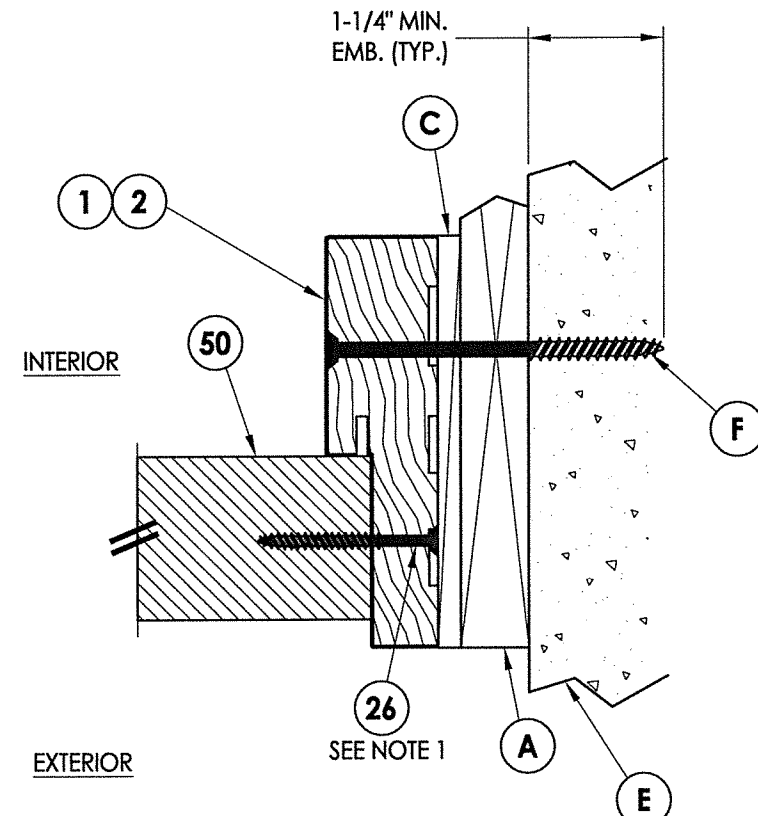
RW
 BUILDING CONSULTANTS, INC.
 P.O. Box 230, Valrico, FL 33595
 Phone No.: 813.659.9197
 FBPE Registry No. 9813



1 HORIZONTAL CROSS SECTION
6 Outswing shown - Inswing also approved



2 HORIZONTAL CROSS SECTION
6 Outswing shown - Inswing also approved

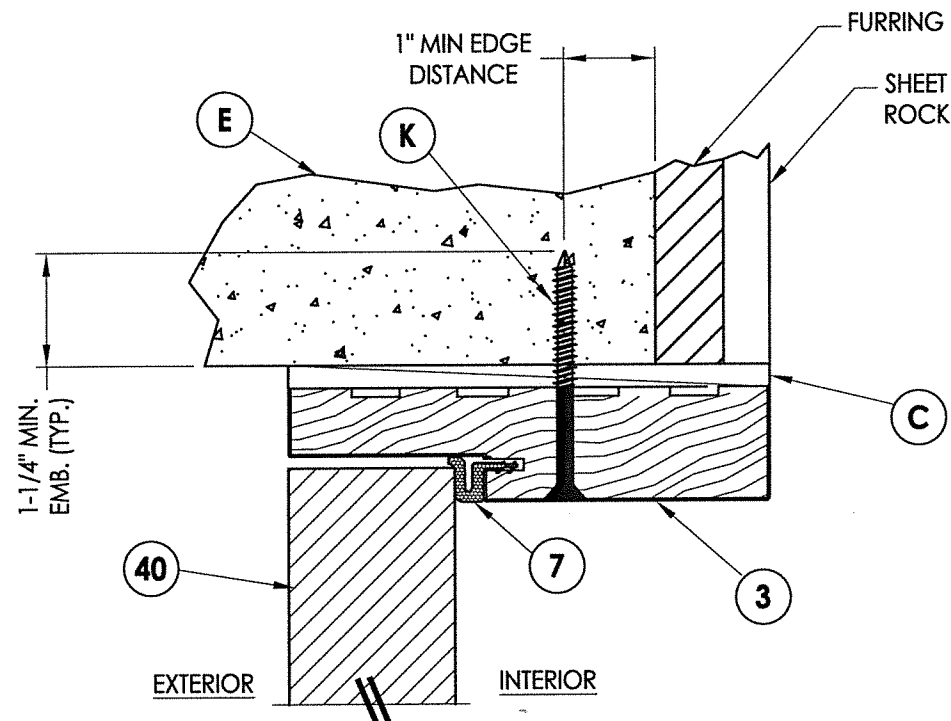


3 HORIZONTAL CROSS SECTION
6 Outswing shown - Inswing also approved

PRODUCT:	TRINITY GLASS INT'L
PART OR ASSEMBLY:	HORIZONTAL & VERTICAL CROSS SECTIONS (1X BUCK)
DATE:	2/05/20
SCALE:	N.T.S.
DWG. BY:	TRJ
CHK. BY:	LFS
DRAWING NO.:	FL-25575.10
SHEET	6 of 13
NO. DATE	1 8/11/20
	UPDATE TO 7th ED. (2020) FBC
	DAC
	BY
	REVISIONS

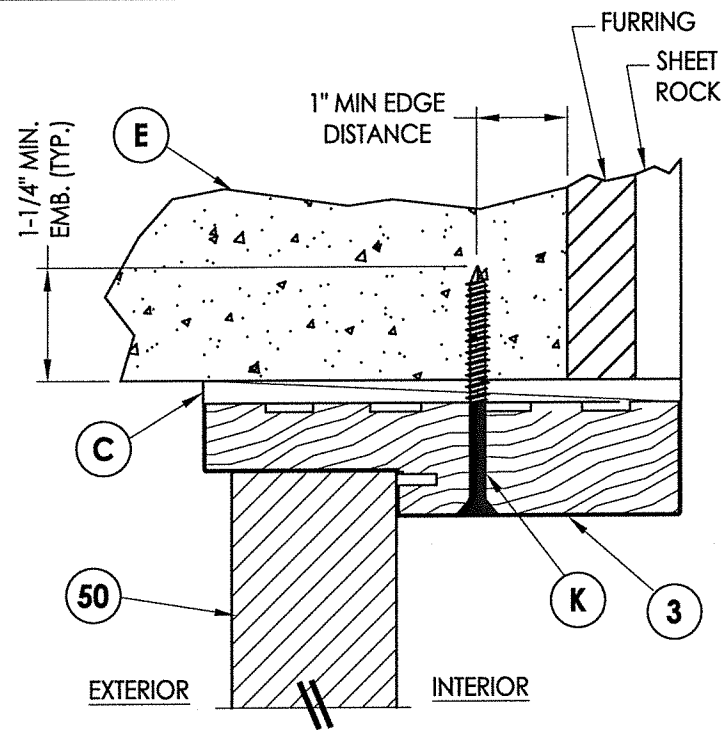
© 2020 R.W. BUILDING CONSULTANTS INC.

\\dc01\wbc\Clients\Trinity Glass PERMANENT\A - Florida Product Approvals\FL - 25575\C. Drawings\FL 25575 (2020)\FL-25575.10.dwg

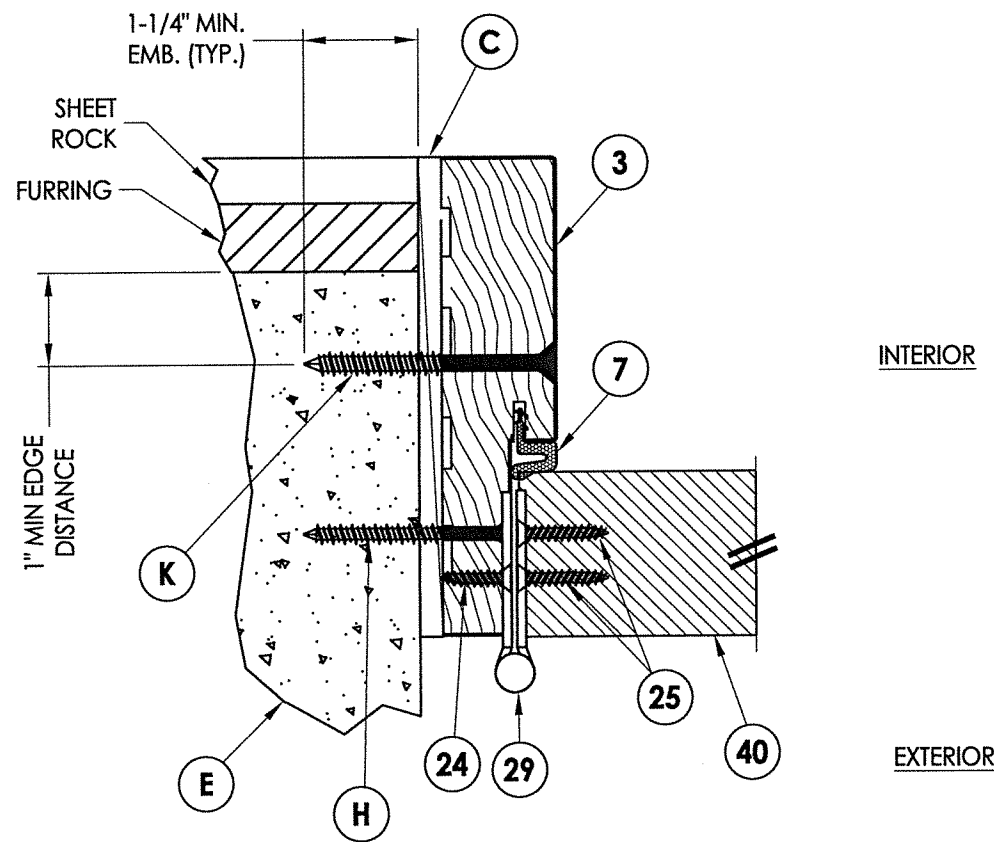


4 VERTICAL CROSS SECTION
7 Outswing only

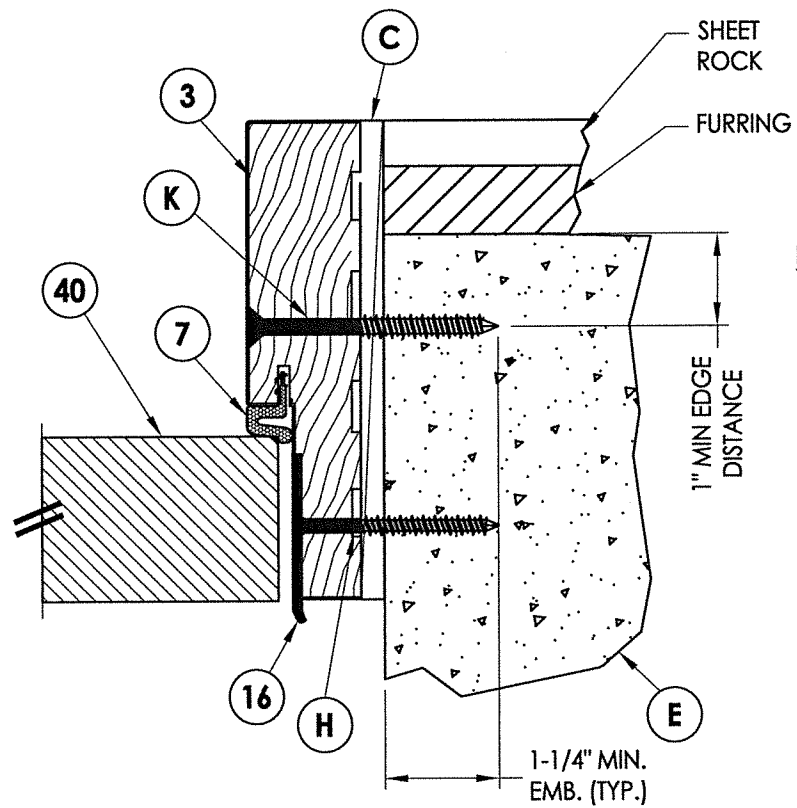
NOTE:
1. Item #26 located 6" from each end plus 2 more equally spaced (4 total).



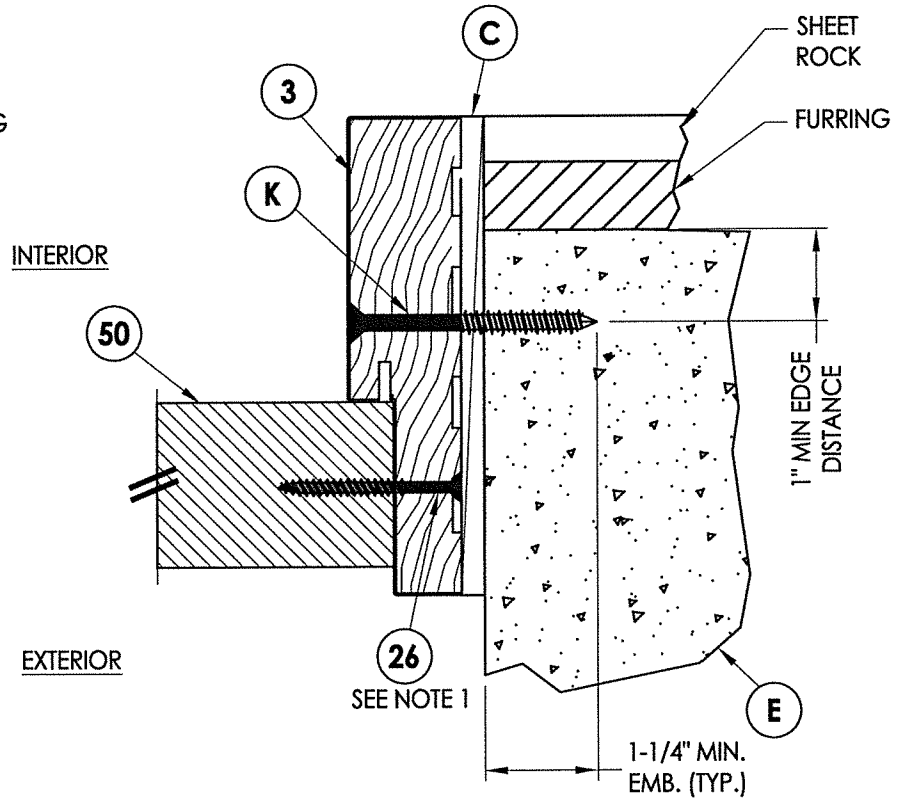
5 VERTICAL CROSS SECTION
7 Outswing only



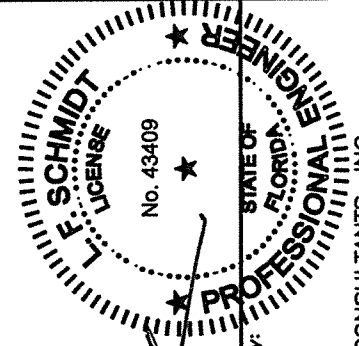
1 HORIZONTAL CROSS SECTION
7 Outswing only



2 HORIZONTAL CROSS SECTION
7 Outswing only



3 HORIZONTAL CROSS SECTION
7 Outswing only



August 11, 2020

Documents Prepared By:
Lyndon F. Schmidt
P.E. No. 43409

RW BUILDING CONSULTANTS, INC.
P.O. Box 230, Vairico, FL 33595
Phone No.: 813.659.9197
FBPE Registry No. 9813

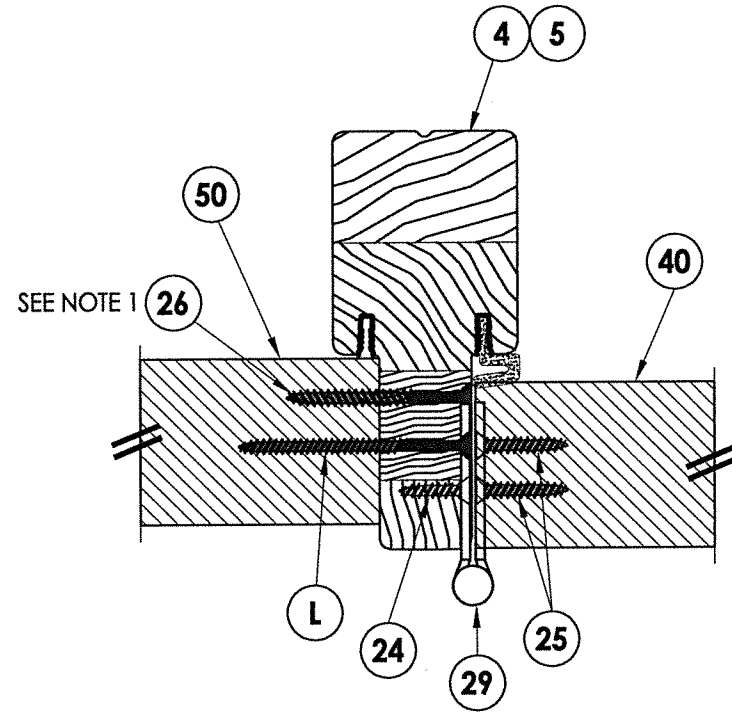
PRODUCT: TRINITY GLASS INT'L
PART OR ASSEMBLY: HORIZONTAL & VERTICAL CROSS SECTIONS (DIRECT TO MASONRY)

NO.	DATE	REVISIONS
1	8/11/20	UPDATE TO 7th ED. (2020) FBC

DATE: 2/05/20
SCALE: N.T.S.
DWG. BY: TRJ
CHK. BY: LFS
DRAWING NO.: FL-25575.10
SHEET 7 OF 13

NOTE:

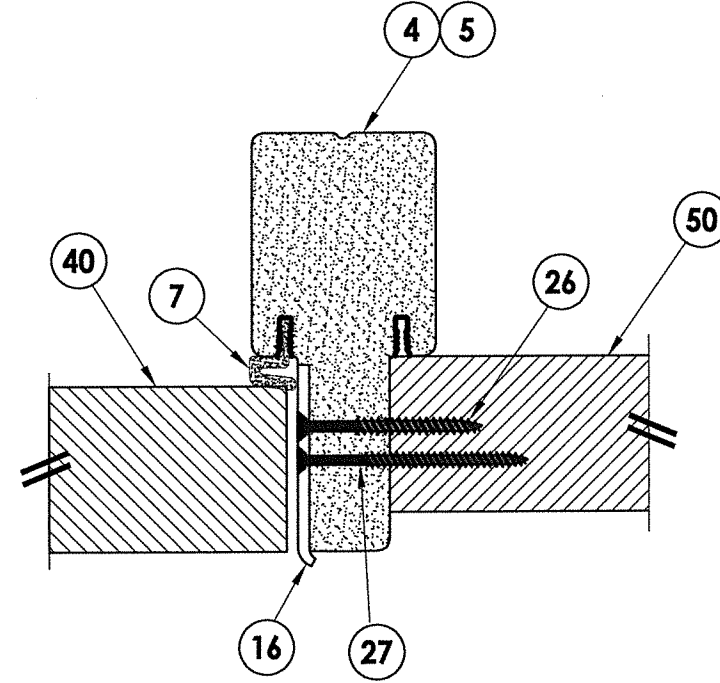
- Item #26 located 6" from each end plus 2 more equally spaced (4 total).



1 HORIZONTAL CROSS SECTION
8 Outswing shown - Inswing also approved

INTERIOR

EXTERIOR

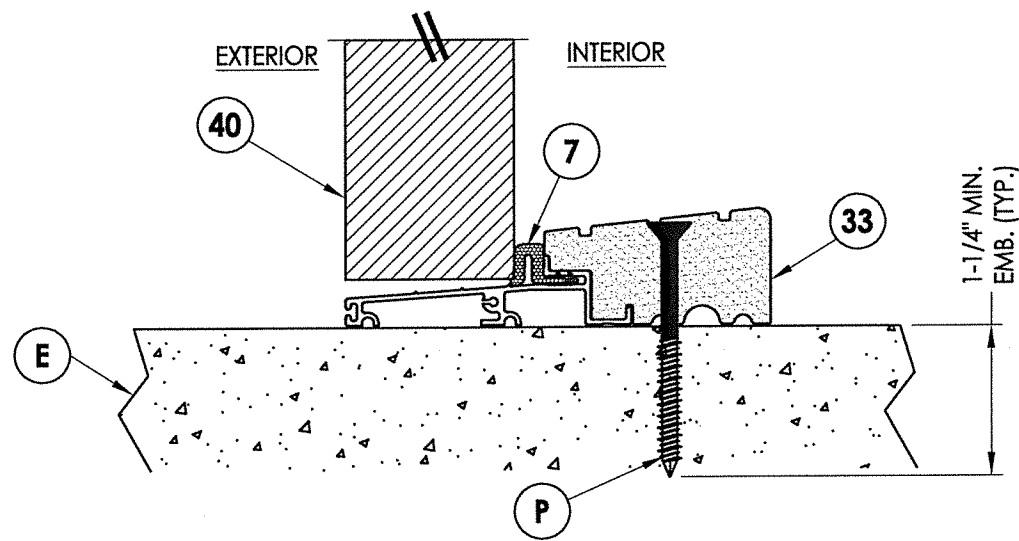


2 HORIZONTAL CROSS SECTION
8 Outswing shown - Inswing also approved

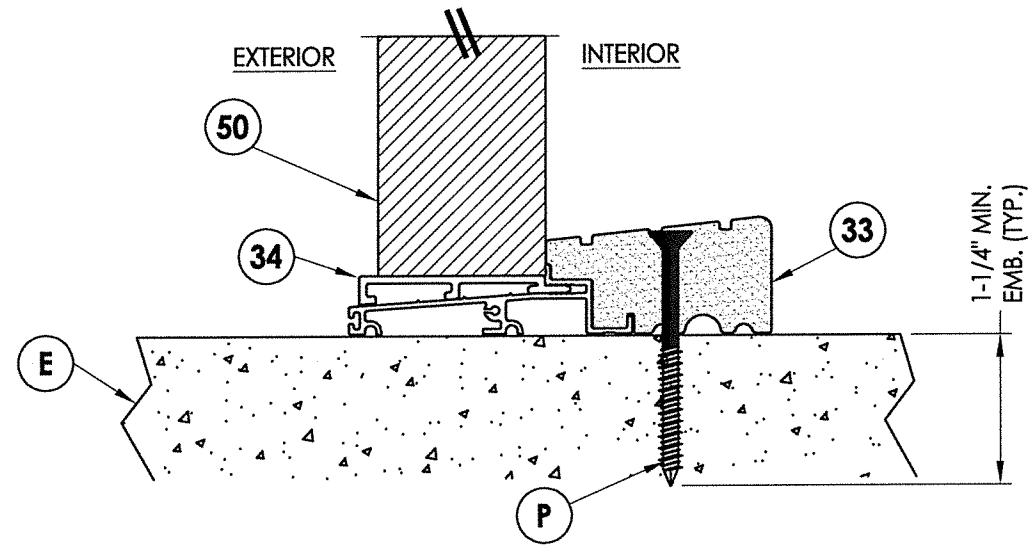
August 11, 2020
 Documents Prepared By:
 Lyndon F. Schmidt
 P.E. No. 43409

RW
 BUILDING CONSULTANTS, INC.
 P.O. Box 230, Valrico, FL 33595
 Phone No.: 813.659.9197
 FBPE Registry No. 9813

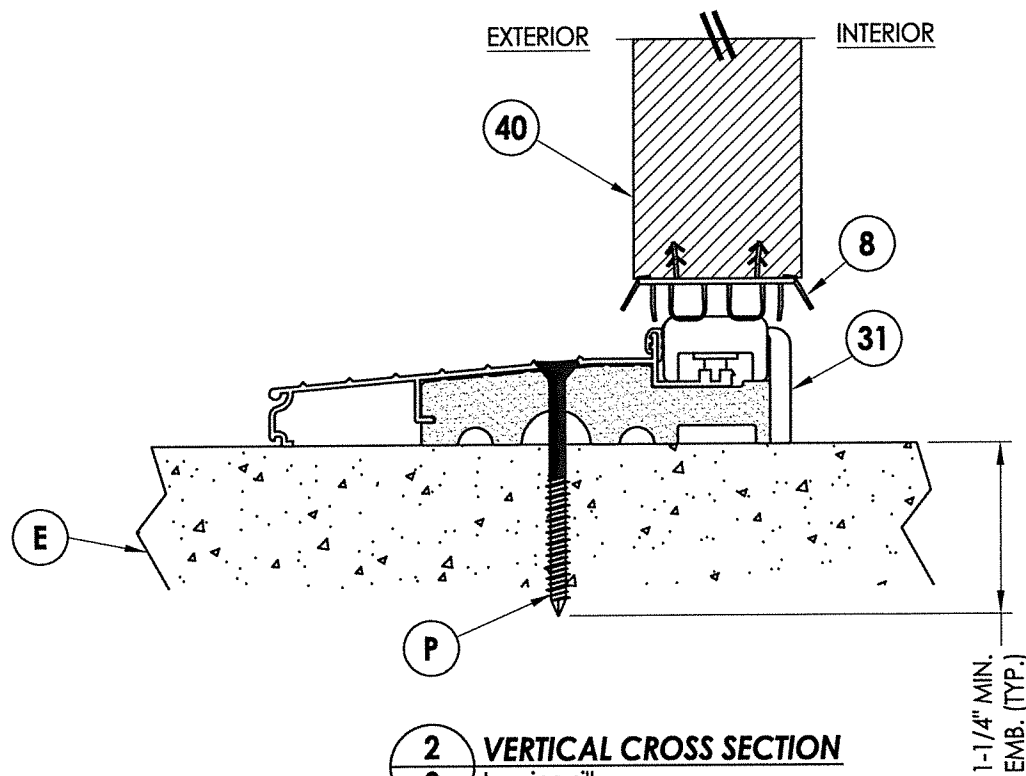
PRODUCT:	TRINITY GLASS INT'L	
PART OR ASSEMBLY:	HORIZONTAL CROSS SECTIONS	
NO.	DATE	REVISIONS
1	8/11/20	UPDATE TO 7th ED. (2020) FBC
		DAC
		BY
DATE: 2/05/20		
SCALE: N.T.S.		
DWG. BY: TRJ		
CHK. BY: LFS		
DRAWING NO.: FL-25575.10		
SHEET 8 OF 13		



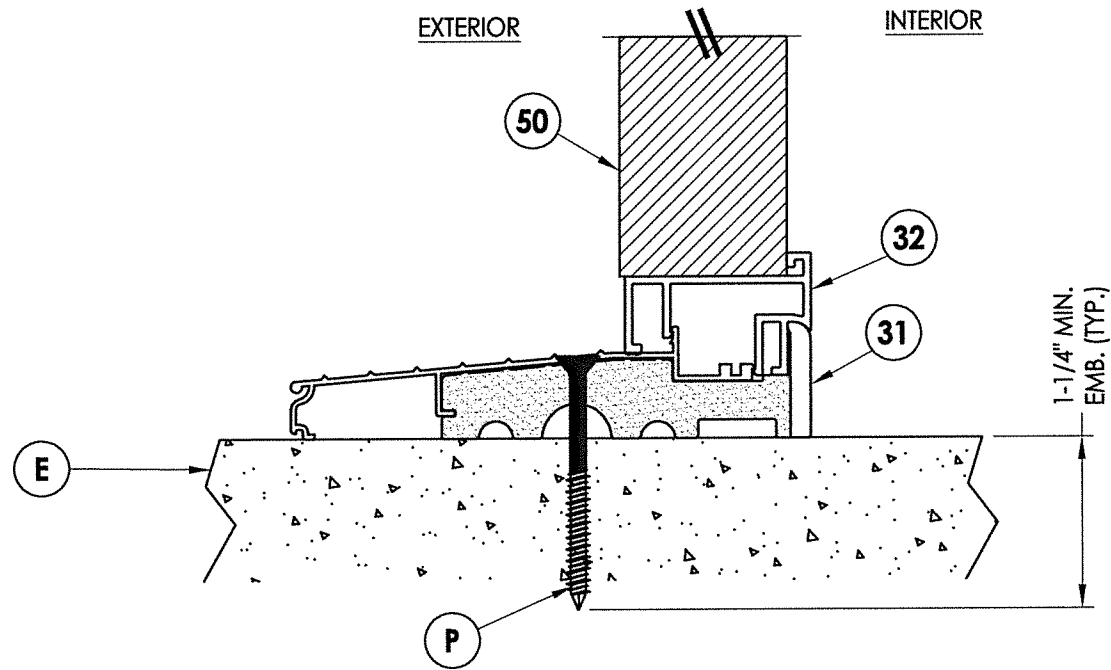
1 VERTICAL CROSS SECTION
9 Outswing sill - high dam



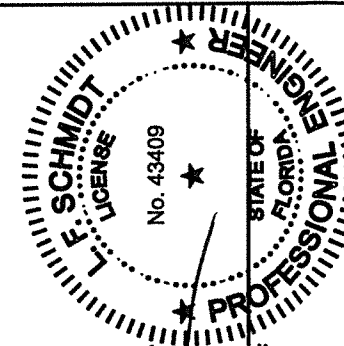
3 VERTICAL CROSS SECTION
9 Outswing sill - high dam



2 VERTICAL CROSS SECTION
9 Inswing sill



4 VERTICAL CROSS SECTION
9 Inswing sill



L.F. Schmidt

August 11, 2020

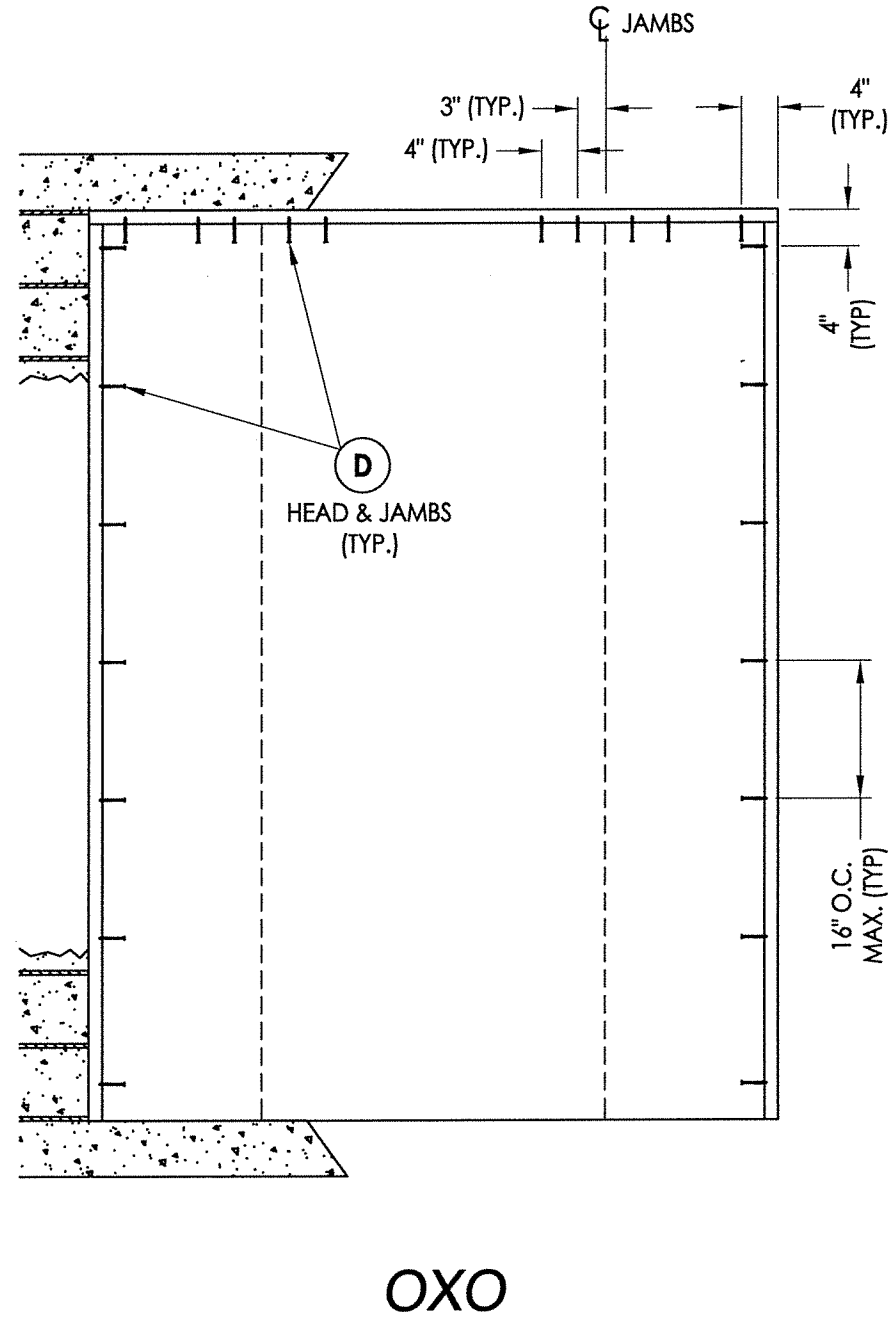
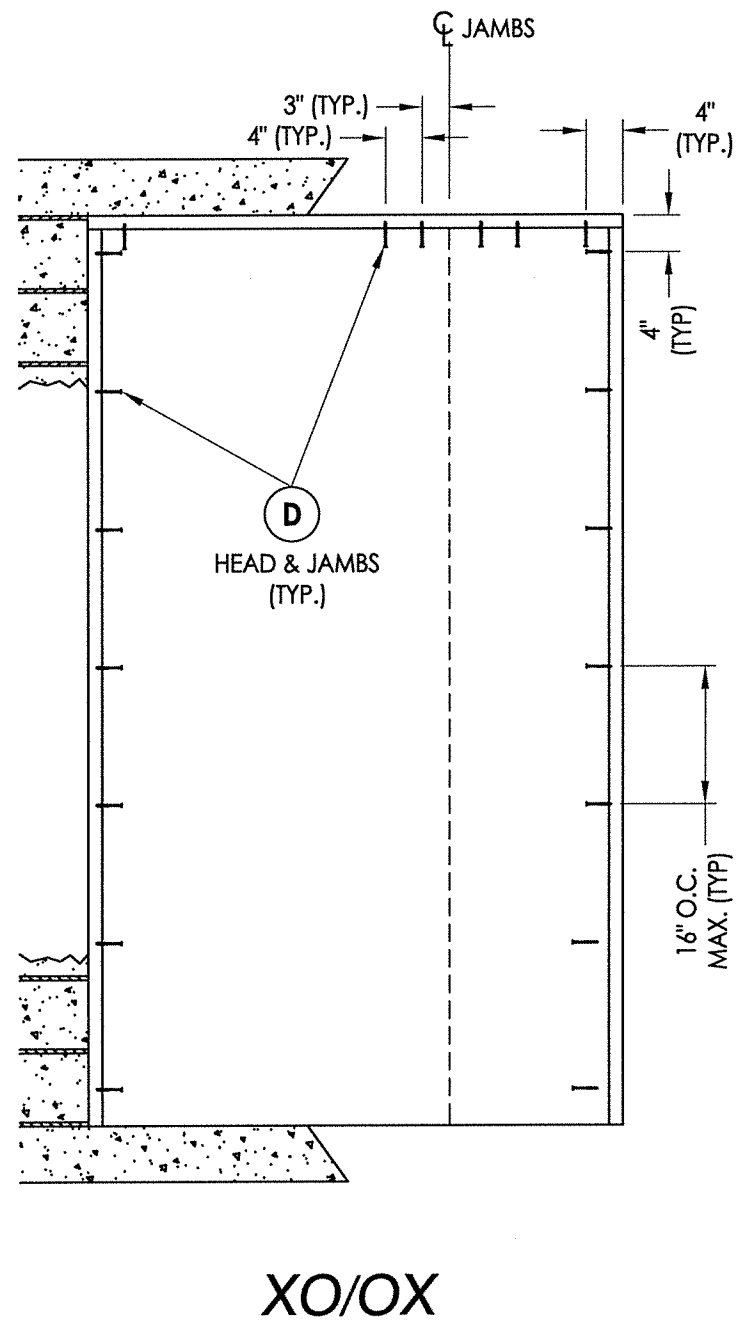
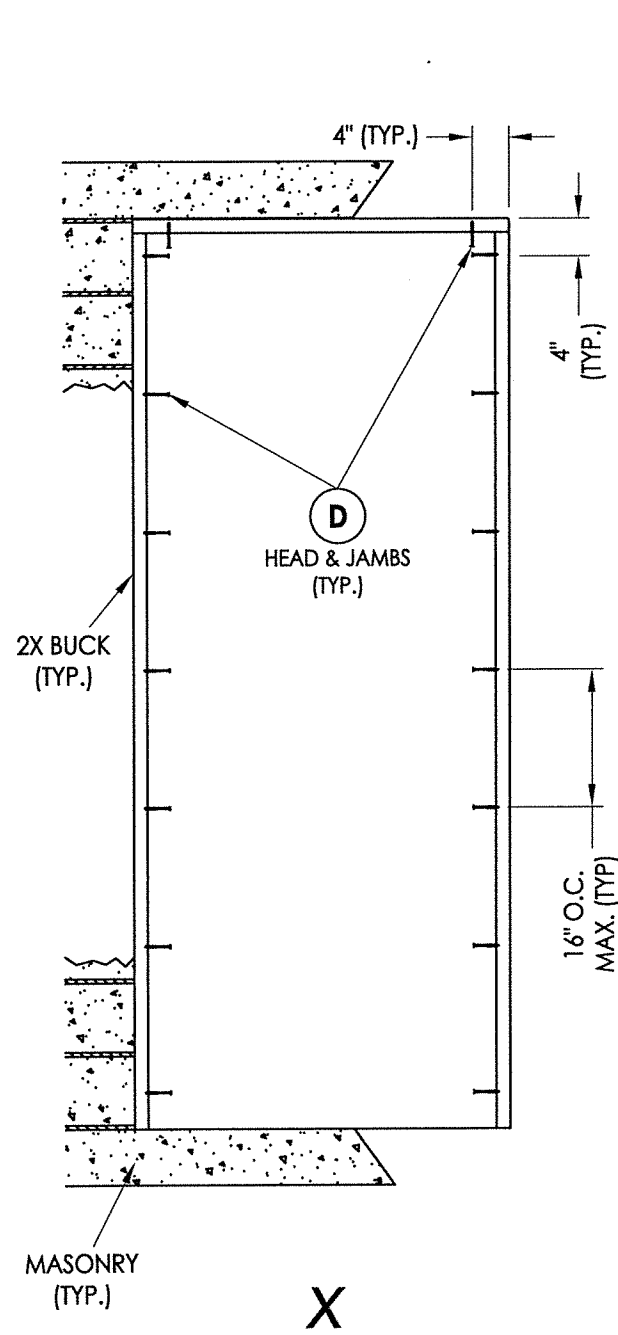
Documents Prepared By:
Lyndon F. Schmidt
P.E. No. 43409

R.W. BUILDING CONSULTANTS, INC.
P.O. Box 230, Valrico, FL 33595
Phone No.: 813.659.9197
FBPE Registry No. 9813

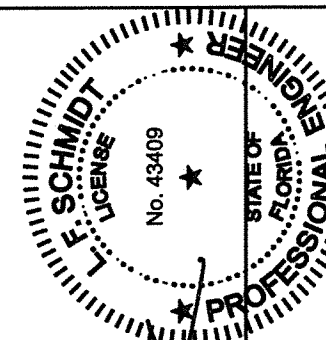
PRODUCT:	TRINITY GLASS INT'L
PART OR ASSEMBLY:	VERTICAL CROSS SECTIONS

NO.	DATE	BY	REVISIONS
1	8/11/20	FBC	UPDATE TO 7th ED. (2020)
		DAC	

DATE:	2/05/20
SCALE:	N.T.S.
DWG. BY:	TRJ
CHK. BY:	LFS
DRAWING NO.:	FL-25575.10
SHEET	9 OF 13



2X BUCK ANCHORING



E. Schmidt

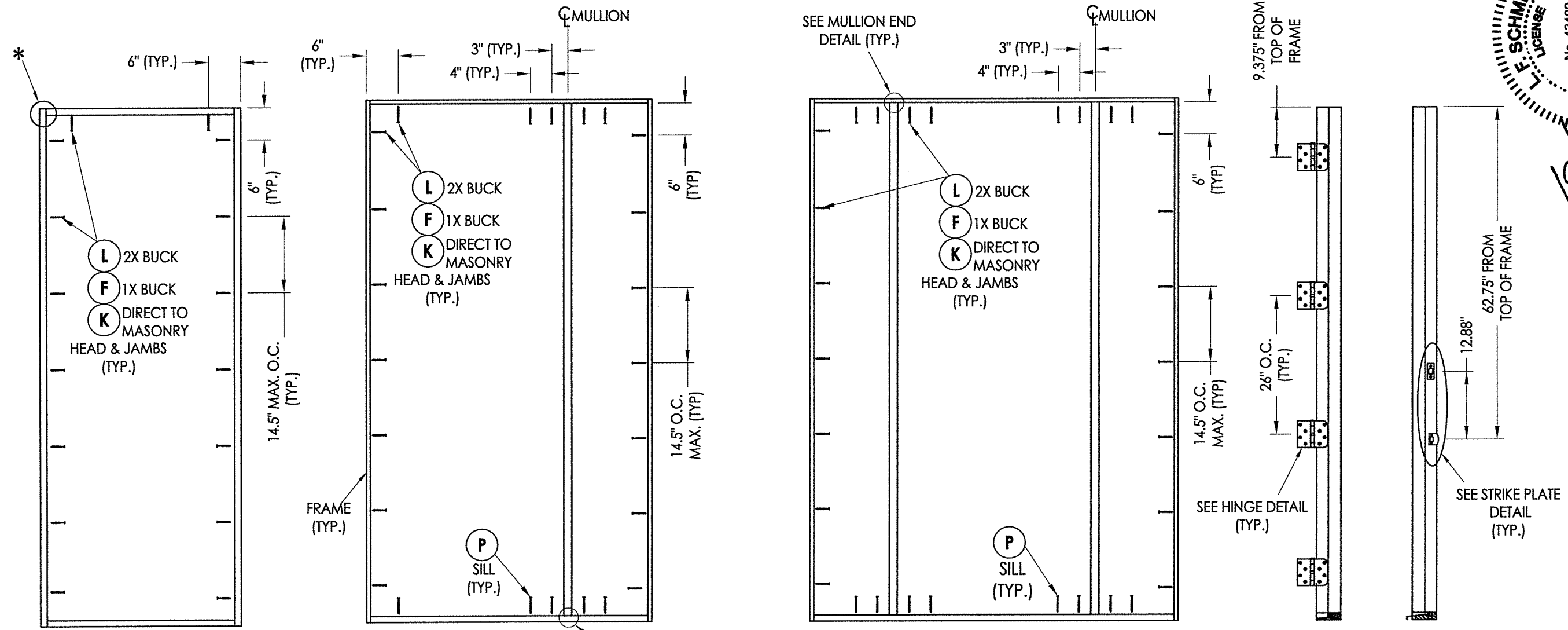
August 11, 2020
 Documents Prepared By:
 Lyndon F. Schmidt
 P.E. No. 43409

RW
 BUILDING CONSULTANTS, INC.
 P.O. Box 230, Valrico, FL 33595
 Phone No.: 813.659.9197
 FBPE Registry No. 9813

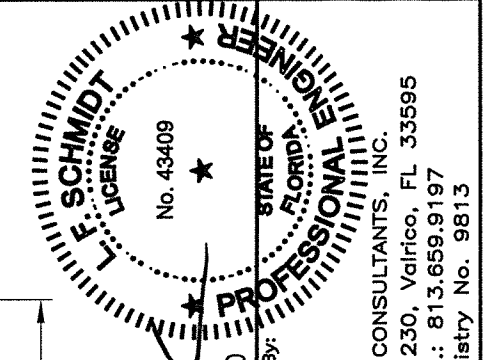
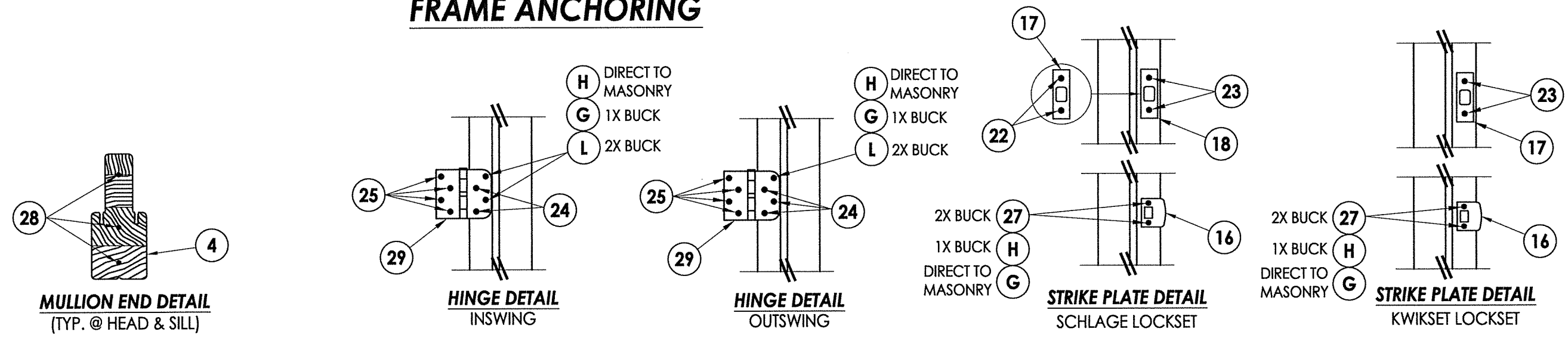
PRODUCT:		TRINITY GLASS INT'L	
PART OR ASSEMBLY:		BUCK ANCHORING	
NO.	DATE	BY	REVISIONS
1	8/11/20	FBC	UPDATE TO 7th ED. (2020)
		DAC	
DATE: 2/05/20		SCALE: N.T.S.	
DWG. BY: TRJ		CHK. BY: LFS	
DRAWING NO.:		FL-25575.10	
SHEET 10 OF 13			

\\dc01\wboc\Clients\Trinity Glass PERMANENT\A - Florida Product Approvals\FL - 25575\C. Drawings\FL 25575 (2020)\FL-25575.10.dwg

* NOTE: FRAME CORNERS ATTACHED w/
(3) #10 X 2-1/2" FH WOOD SCREWS (TYP.)

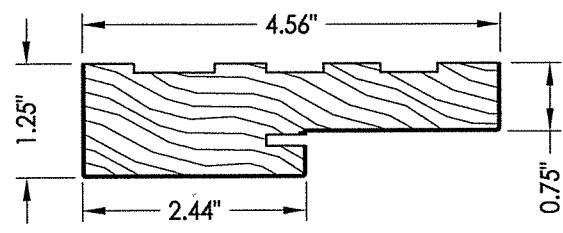


FRAME ANCHORING

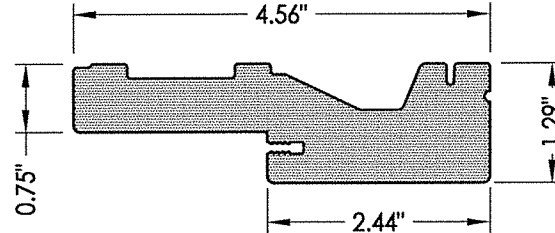


August 11, 2020
 Documents Prepared By:
 Lyndon F. Schmidt
 P.E. No. 43409
 R.W. BUILDING CONSULTANTS, INC.
 P.O. Box 230, Valrico, FL 33595
 Phone No.: 813.659.9197
 FBPE Registry No. 9813

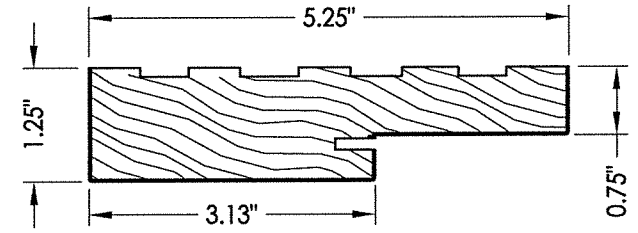
PRODUCT:	TRINITY GLASS INT'L	
PART OR ASSEMBLY:	FRAME ANCHORING	
NO.	DATE	BY
1	8/11/20	TRJ
UPDATE TO 7th ED. (2020) FBC		
REVISIONS		
DATE:	2/05/20	
SCALE:	N.T.S.	
DWG. BY:	TRJ	
CHK. BY:	LFS	
DRAWING NO.:	FL-25575.10	
SHEET	11	OF 13



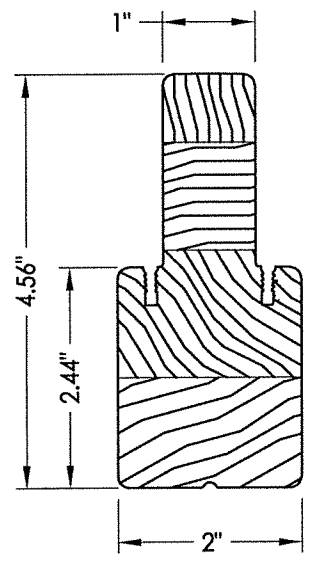
1 FINGER JOINT PINE JAMB



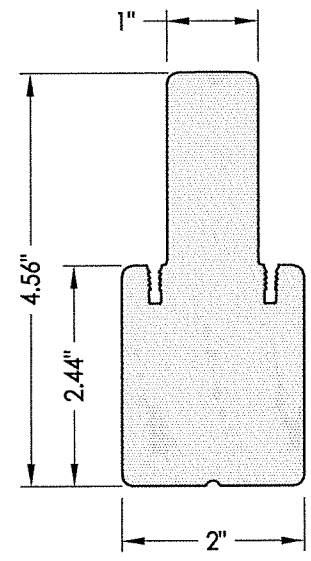
2 HEAD AND JAMBS PVC



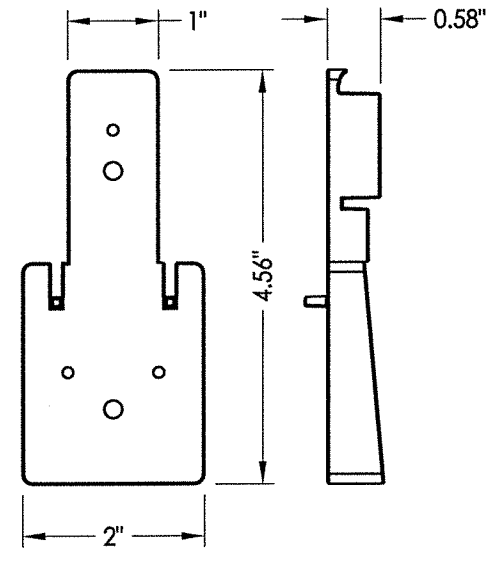
3 FINGER JOINT PINE JAMB



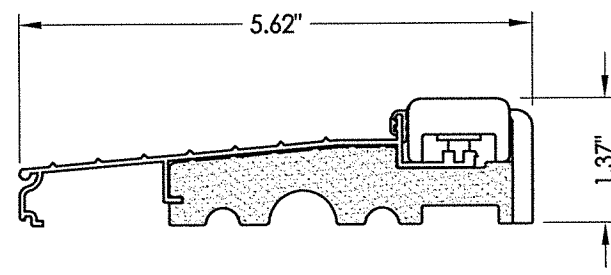
4 INTEGRAL MULLION PINE



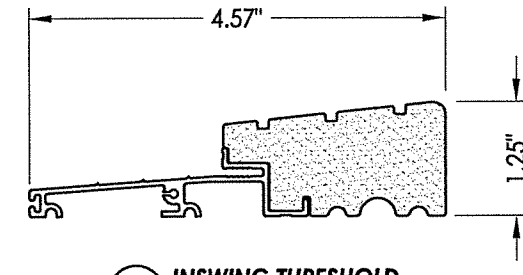
5 INTEGRAL MULLION PVC



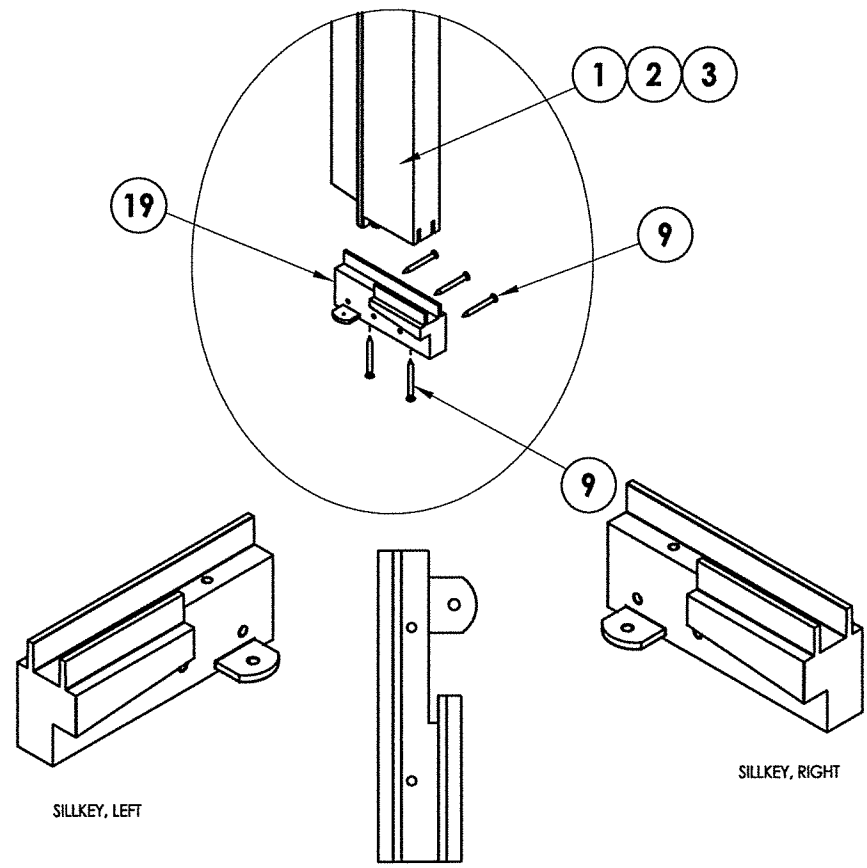
6 INTEGRAL MULLION BASE KIT Optional



31 INSWING THRESHOLD

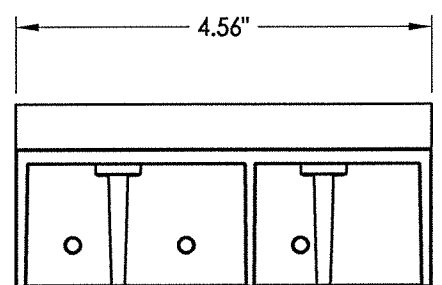


33 INSWING THRESHOLD High-dam

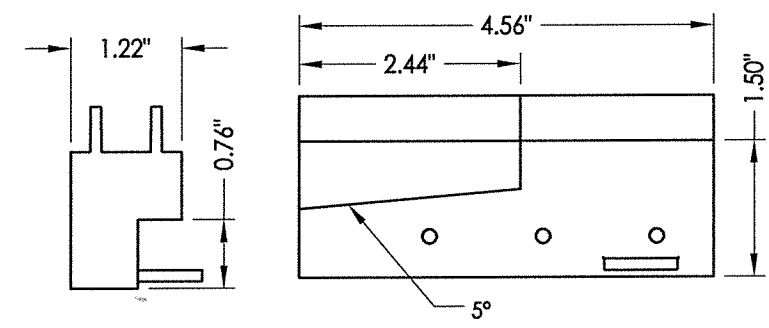


SILLKEY, LEFT

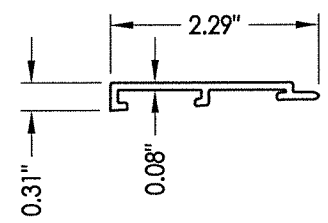
SILLKEY, RIGHT



19 SILLKEY DETAILS Optional



32 SIDELITE SPACER Inswing

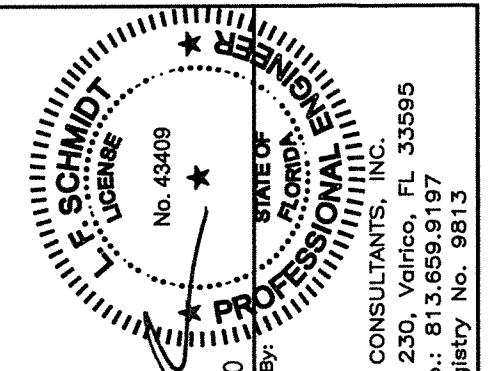


34 SIDELITE SPACER Outswing

August 11, 2020
 Documents Prepared By:
 Lyndon F. Schmidt
 P.E. No. 43409
 BUILDING CONSULTANTS, INC.
 P.O. Box 230, Valrico, FL 33595
 Phone No.: 813.659.9197
 FBPE Registry No. 9813

PRODUCT:		TRINITY GLASS INT'L	
PART OR ASSEMBLY:		COMPONENTS	
NO.	DATE	BY	REVISIONS
1	8/11/20	FBC	UPDATE TO 7th ED. (2020)
		DAC	
DATE: 2/05/20		SCALE: N.T.S.	
DWG. BY: TRJ		CHK. BY: LFS	
DRAWING NO.: FL-25575.10		SHEET 12 OF 13	

BILL OF MATERIALS		
ITEM #	DESCRIPTION	MATERIAL
A	1X BUCK (SG >= 0.42)	WOOD
B	2X BUCK (SG >= 0.42)	WOOD
C	1/4" MAX. SHIM SPACE	-
D	1/4" X 2-3/4" PFH DeWALT OR ITW CONCRETE SCREW	STEEL
E	MASONRY - 3,000 PSI MIN. CONCRETE CONFORMING TO ACI 301 OR HOLLOW BLOCK CONFORMING TO ASTM C90	CONCRETE
F	1/4" X 3-3/4" PFH ITW CONCRETE SCREW	STEEL
G	3/16" X 3-1/4" PFH ITW CONCRETE SCREW	STEEL
H	3/16" X 2-1/4" PFH ITW CONCRETE SCREW	STEEL
K	1/4" X 2-3/4" PFH DeWALT CONCRETE SCREW	STEEL
L	#10 X 2-1/2" PFH WS (1.15" MIN. EMBEDMENT)	STEEL
P	1/4" X 2-3/4" PFH DeWALT OR ITW CONCRETE SCREW	STEEL
1	HEAD & JAMB (FINGER-JOINT PINE - SG >= 0.42)	WOOD
2	HEAD & JAMB	PVC
3	HEAD & JAMB (5.25") (FINGER-JOINT PINE - SG >= 0.42)	WOOD
4	INTEGRAL MULLION (PINE - SG >= 0.42)	WOOD
5	INTEGRAL MULLION (PVC)	PVC
6	INTEGRAL MULLION BASE KIT	PC/ASA
7	WEATHERSTRIP	FOAM
8	DOOR BOTTOM SWEEP	PVC
9	#6 X 1-1/4" PFH DRYWALL SCREW	STEEL
11	#9 X 2-1/4" PFH WOOD SCREW	STEEL
16	LATCH STRIKE PLATE	STEEL
17	DEADBOLT STRIKE PLATE	STEEL
18	DEADBOLT SUB-STRIKE PLATE	STEEL
19	SILLKEY	ABS
22	#8 X 1/2" PFH WOOD SCREW	STEEL
23	#12 X 2-1/2" PFH WOOD SCREW	STEEL
24	#9 X 3/4" PFH WS	STEEL
25	#9 X 1" PFH WS	STEEL
26	#8 X 2" PFH WS	STEEL
27	#8 X 2-1/2" PFH WOOD SCREW	STEEL
28	#10 X 3" PFH WOOD SCREW	STEEL
29	4" X 4" HINGE	STEEL
31	INSWING THRESHOLD ALUMINUM w/ COMPOSITE SUBSTRATE	ALUM./ COMP.
32	SIDELITE SPACER - INSWING	PVC
33	OUTSWING HIGH-DAM THRESHOLD ALUMINUM w/ COMPOSITE SUBSTRATE	ALUM./ COMP.
34	SIDELITE SPACER - OUTSWING	PVC
40	DOOR PANEL - (LIGHTHOUSE)	-
50	SIDELITE	-



August 11, 2020
 Documents Prepared By:
 Lyndon F. Schmidt
 P.E. No. 43409
 R.W. BUILDING CONSULTANTS, INC.
 P.O. Box 230, Vairico, FL 33595
 Phone No.: 813.659.9197
 FBPE Registry No. 9813

PRODUCT: TRINITY GLASS INT'L
 PART OR ASSEMBLY: BILL OF MATERIALS

NO.	DATE	BY	REVISIONS
1	8/11/20	DAC	UPDATE TO 7th ED. (2020) FBC

DATE: 2/05/20
 SCALE: N.T.S.
 DWG. BY: TRJ
 CHK. BY: LFS
 DRAWING NO.: FL-25575.10
 SHEET 13 OF 13

CONCRETE ANCHOR NOTES:

- Concrete anchor locations at the corners may be adjusted to maintain the min. edge distance to mortar joints.
- Concrete anchor locations noted as "MAX. ON CENTER" must be adjusted to maintain the min. edge distance to mortar joints, additional concrete anchors may be required to ensure the "MAX. ON CENTER" dimension are not exceeded.
- Concrete anchor table:

ANCHOR TYPE	ANCHOR SIZE	MIN. EMBEDMENT	MIN. CLEARANCE TO MASONRY EDGE	MIN. CLEARANCE TO ADJACENT ANCHOR
ITW BUILDEX TAPCON®	3/16" 1/4"	1-1/4" 1-1/4"	AS SHOWN 2"	1-1/2" 4"
DeWALT ULTRACON®	1/4"	1-1/4"	1"	4"

WOOD SCREW INSTALLATION NOTES:

- Maintain a minimum 5/8" edge distance, 1" end distance, & 1" o.c. spacing of wood screws to prevent the splitting of wood.